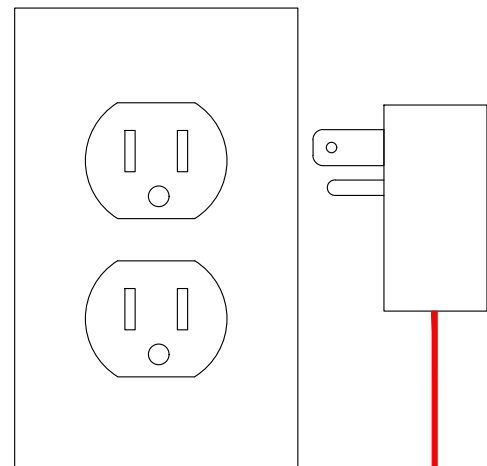


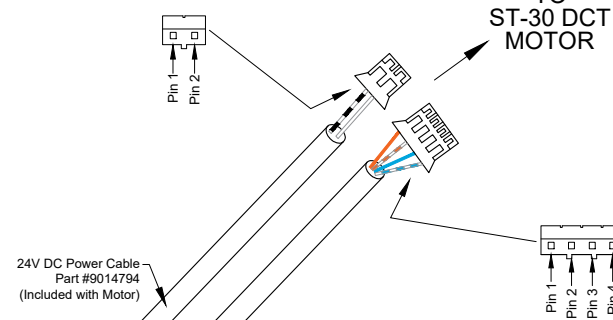
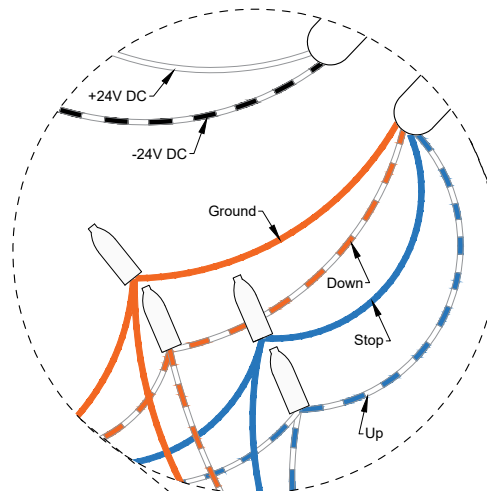
ST-30 Motor Head Power Pinout		
Pin #	Function	Color
1	Power (+)	White with Black Stripe
2	Power (-)	White



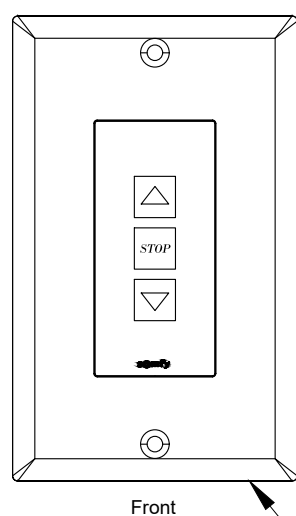
24V DC Wall Mount Power Supply
#1822209

Wiring Distance to Motor for Power

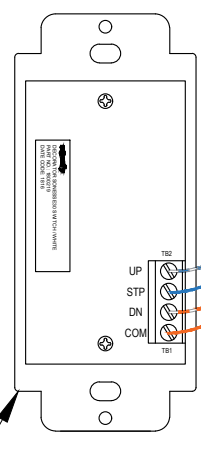
- 240ft with 14AWG wire
- 150ft with 16AWG wire
- 100ft with 18AWG wire



ST-30 DCT Motor Head Data Pinout		
Pin #	Function	Color
1	Up	White with Blue Stripe
2	Stop	Blue
3	Down	White with Orange Stripe
4	Ground	Orange



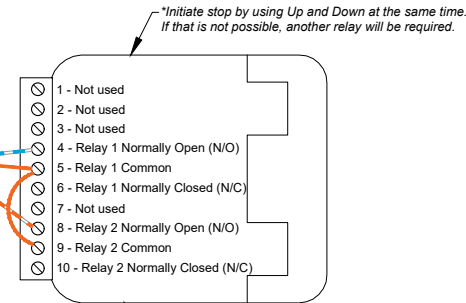
Front



Back

Dry Contact Open/Close/Stop Switch
Part #1800219 (White)
Part #1800220 (Ivory)

Extend DCT Data Cable with Standard CAT-5e or higher cable and Super B Connectors.



Legrand Low Voltage Dual Relay Interface
#LMOR-102

Date:	02/14/20	Rev	Date	By	Description
Print Size:	8.5" x 11"	-	--/--/--	-	
Scale:	NTS	-	--/--/--	-	
Sales:	N/A	-	--/--/--	-	
Drawn by:	RV	-	--/--/--	-	
Checked by:	PK	-	--/--/--	-	

Dwg Title:	ST-30 DCT Motor with DCT Switch & Third Party Relay Wire Detail
Dwg No.:	DCT-WIRING-03

Project name:	Technical Library
Client:	Somfy Systems
Address:	121 Herrod Boulevard Dayton, NJ 08810