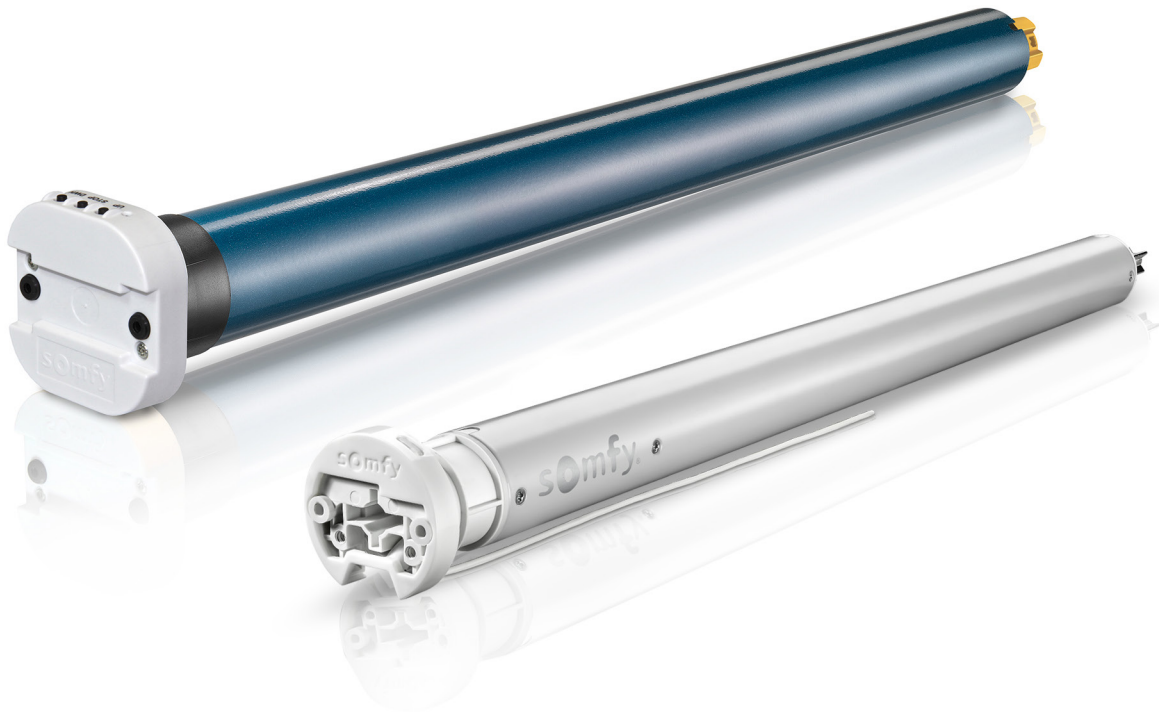


Low-voltage Motor Range Databook



Sonesse® ULTRA 50 and Sonesse® 30

Sonesse® ULTRA 50 DC RTS | Sonesse® ULTRA 50 DC RS485 | Sonesse® 30 RTS 24V DC | Sonesse® 30 RS485 | Sonesse® 30 DCT

Why Somfy?

Somfy® is the leading global manufacturer of strong, quiet motors with electronic and app controls for interior window coverings and exterior solar protections. Over 270 million users worldwide enjoy the more than 170 million motors produced by Somfy. During the past 50 years, Somfy engineers have designed products for both the commercial and residential markets to motorize window coverings such as interior shades, wood blinds, draperies, awnings, rolling shutters, exterior solar screens and projection screens. Somfy motorization systems are easily integrated with security, HVAC and lighting systems providing total home or building automation.

Somfy has a committed customer support team comprised of Somfy motor and control specialists available for assistance:

Somfy Corporate Headquarters

800-22-SOMFY (76639)

General Customer Service

877-210-5327

CustomerService_us@somfy.com

Standard Purchase Order

Ordering_us@somfy.com

Rush Purchase Order

ExpeditedShippingOrders_us@somfy.com

Accounting Inquiries

AccountsReivable@somfy.com

Technical Support

877-233-0019

TechnicalSupport_us@somfy.com

Warranty Claim Requests

us_Return@somfy.com

- Somfy has a production capacity of more than 70,000 motors per day.
- Somfy motors have over 600 approved standards worldwide.
- Somfy has certified over 100 patents since the year 2000.
- Every Somfy motor goes through an extensive quality assurance process including testing in extreme environmental conditions, for electrostatic discharge, mechanical shock, and high life cycle.
- Somfy has a network of 15,000 trained professional installers throughout the world.



Somfy operates in 60 countries, with 76 subsidiaries, and 60 agencies spread across 5 continents. With 8 production centers, Somfy is an efficient and reactive industry leader. Thanks to its strict quality standards, Somfy is able to satisfy the needs of over 270 million users worldwide.



Somfy understands that training and support are critical to success. Somfy's Expert Program has been developed to provide a platform for those who want to enhance their expertise of motorization and control solutions. Visit <https://www.somfypro.com/> to learn more and sign up for training.

TABLE OF CONTENTS

INTRODUCTION

Low Voltage Motor Range	3
-------------------------------	---

MOTOR SPECIFICATIONS

Sonesse® ULTRA 50 DC RTS	4
Sonesse® ULTRA 50 DC RS485	5
Sonesse® 30 RTS 24V DC	6
Sonesse® 30 RS485	7
Sonesse® 30 DCT	8

CONTROL ACCESSORIES

Radio Technology Somfy® (RTS)	9, 10
Somfy Digital Network™ (SDN) RS485, PoE & Dry Contact	11, 12

LOW VOLTAGE POWER AND WIRING ACCESSORIES

Low-voltage Power Accessories - Cables and Pigtails	13, 14
Transformers and Limit Setting Tools	15
Power/Control Distribution Enclosure Options	15
Low-voltage RTS Control and Plug-in Style Power	16
Low-voltage RTS Control and Power Distribution	17
Low-voltage RS485 Control and Plug-in Style Power	18
Low-voltage RS485 Control and Power Distribution.....	19
Low-voltage DCT Dry Contact and Plug-in Style Power	20

MECHANICAL ACCESSORIES, LIGHT GAP SPECIFICATIONS & BRACKET PROJECTIONS

Sonesse® ULTRA 50 Hardware Systems (ZMC)	21-23
Sonesse® 30 Hardware Systems	
Acmeda®	24, 25
Somfy Decorator Type	26, 27
RollEase®	28, 29
Louvolute	30
Somfy® CTS 40	31
RollEase® and ZMC® Fascia & Cassette Solutions	32, 33
Sonesse® ULTRA 50 DC Mechanical Accessories	34, 35
Sonesse® 30 Mechanical Accessories	36
NEW Sonesse® 30 Mechanical Accessories	37

Acmeda® is a registered trademark of Acmeda International Group Incorporated

RollEase® is a registered trademark of RollEase® Inc. - Stamford, CT.

Crestron® is a registered trademark of Crestron Electronics, Inc.

ZMC® is a registered trademark of ZMC® Window Coverings

Z-Wave® is a registered trademark of Zensys, Inc. and its subsidiaries

Zigbee® is a registered trademark of ZigBee Alliance

Universal Remote Control®, Inc. is a trademark of Universal Remote Control, Inc.

Conveniently Quiet and Powerful

This document presents the accessories and specifications related to the Somfy Low-voltage motor range. It provides the technical information needed to order, fabricate, and sell the award-winning quiet motors. For additional information regarding any of the products in this document including motors, power sources, controls, interfaces etc., please visit www.somfysystems.com.

The low-voltage motor range puts window coverings in motion with quiet precision. The motors are engineered with superior noise reduction technology from a distance of 3 feet.

These motors feature speed regulation for precise alignment of adjacent shades, can be barely heard, and are low-voltage to simplify installation. The motors are available with a variety of control options and easily integrate with home automation systems. They also feature the ability to adjust to precise intermediate positions for increased control flexibility.

Somfy's low-voltage motors are designed to automate a broad range of window covering applications which include:

Roller/Solar Shades



Sheer Horizontal/
Layered Shades



Roman/Woven Shades



Pleated Cellular Shades



Horizontal Blinds



As with all Somfy® products, the Sonesse® low-voltage motor range is backed by a 5 year warranty.



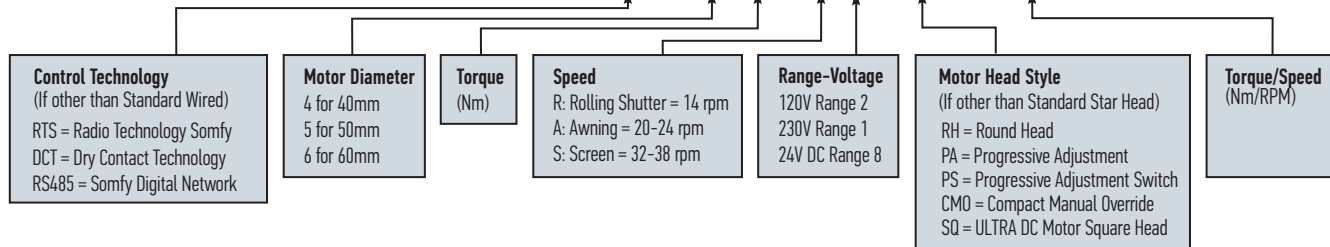
WCMA Award winner, for most innovative overall design

Somfy's Low-voltage Motor Range



MOTOR IDENTIFICATION KEY

Sonesse® ULTRA 50 DC RTS 504 A8 SQ 4/25



SOMFY TECHNOLOGIES



Radio Technology Somfy® (RTS) allows wireless radio control of motorized applications via the RTS family of controls.



Dry Contact is a dry contact input for a basic low voltage control.



RS485 is another control method that uses a two-wired bus. Due to the open source nature of the RS485 protocol, many building management systems and home automation systems use this protocol to communicate to devices. Systems that use the RS485 connection can be programmed to Somfy RS485 motors or controllers to operate the installation.

SOMFY DESIGNED FOR SILENCE Quietness Scale

The Sonesse® range of motors are rated according to their quietness. The volume scale below appears on all Sonesse range specification pages and designates the motor's level of sound output.



Somfy
DESIGNED FOR
SILENCE



WHY CHOOSE SOMFY'S SONESSE® LOW VOLTAGE RANGE?

Quiet and Strong:

- Stronger torque for larger applications including multi-banded/coupled window coverings
- Uniform quiet operation in both the up and down directions under 38dBA

Wide Range of Solutions:

- Interior and exterior applications
- Line voltage (AC) or Low voltage (DC) power options
- Residential and commercial markets
- Radio, digital or wired integrated network options

Streamlined Programming:

- RTS limits set via radio transmitter
- Wired simple push-button limit setting
- Improved RS485 commissioning process:
 - Motor auto discovery
 - Motor position feedback
 - Compatible with Somfy's animeo® IP system
 - Multiple intermediate positions
 - Collision detection

Simplified Fabrication and Installation:

- Utilizes existing fabrication methods on the market today
- Compatible with leading industry hardware solutions

Superior Quality:

- Motors undergo rigorous endurance, acoustic, radio, mechanical, electrical and safety tests in our 65,000 sq. ft. quality control and testing facility
- More than 600 approved standards worldwide
- Manufactured and sold over 160 million motors

Simple Electrical Connection:

- Available with UL approved pigtail quick connects or screw-in flying leads for low-voltage (DC) power and data.
- Plug-in option eliminates the need for an electrician

All Somfy Motors are UL Listed and CSA Recognized

- All SOMFY motors are UL Listed or Recognized and can be found under the following file numbers:

E514135, E60495, E60888, E63714

Sonesse® ULTRA 50 DC RTS

Square Head Motor

Sonesse ULTRA 504 A8 DC RTS
#1134023

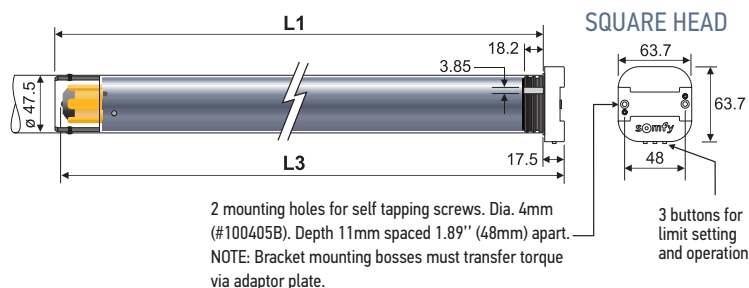


Radio Technology Somfy (RTS) allows for wireless radio control of motorized window coverings via the RTS family of controls.

Technical Features

NEW Sleep Mode	New feature that allows for advanced programming and grouping.
Voltage Supply	24V DC
Index Protection Rating	IP 20 (interior)
Limit Switch Type	Electronic
Limit Switch Capacity	38 Turns
Temperature Working Range	32°F to 140°F (0°C to 60°C) (interior use only)
Insulation Class	Class 3
Wiring	In accordance with NEC and local electrical codes.
Power Supply	Use only Somfy's power supplies to maintain UL listing requirements and guarantee motor's performance.

Dimensions



Dimensions

L1	30.7 in. (780 mm)
L3	31.5 in. (800 mm)
Data & Power Cable Length	10 in. (250 mm)

Specifications

- * Minimum Torque:** Minimum application weight to ensure smooth operation.
- ** Sound Level:** According to standards ISO 3741 NF 31022 in dBA ref 1pW at nominal torque without end product.

Fabrication Recommendations:

- Operational noise level is reduced when the motor, tube, and mechanical accessories are properly adapted to motorized applications.
- Free play must be minimized between the accessories and the end product tube to ensure quiet performance of the motor.
- Due to the variances of standard aluminum extrusion tolerances, it is recommended to screw the drive wheel & pin end to immobilize them and ensure quiet performance throughout the life of the product.
- Interior Tube Diameter (ID) > 47 mm must be respected.
- A motor crown adaptor between motor and end product tube is required to ensure concentric operation of the motor.
- 500 Series Drive Stop and Screw (9910004) is recommended to prevent noise and drive wheel separation from the motor shaft. This drive stop screw must be tightened with a torque ranging between 1.5 Nm and 1.8 Nm.
- Somfy Soft Clip Drive Wheel Adaptors (brown in color) are not recommended.

Torque	4 Nm
* Minimum Torque	0.4 Nm
Nominal Voltage	24V DC
Rated Current	1.5A
Rated Power	36W
Speed	Adjustable: 10-25 rpm (default: 25)
Thermal Protection	5 minutes
** Sound Level	≤ 38 dBA



Pigtail Power Cable: (Included with every motor. Also available separately, part # 9020005).

<p>Weidmuller Connects to Network</p>	<p>Cable Detail View</p>	<p>JST to Motor</p>	<p>Connector Markings Detail View</p> <p>Font: Ariel Height: 2.3 mm Color: Black</p>	<p>Maximum Power Cable Length (to guarantee characteristics)</p> <table border="1"> <thead> <tr> <th>GAUGE</th> <th>LENGTH</th> </tr> </thead> <tbody> <tr> <td>14 AWG</td> <td>240 ft.</td> </tr> <tr> <td>16 AWG</td> <td>150 ft.</td> </tr> <tr> <td>18 AWG</td> <td>100 ft.</td> </tr> </tbody> </table>	GAUGE	LENGTH	14 AWG	240 ft.	16 AWG	150 ft.	18 AWG	100 ft.
GAUGE	LENGTH											
14 AWG	240 ft.											
16 AWG	150 ft.											
18 AWG	100 ft.											

Sonessse® ULTRA 50 DC RS485

Square Head Motor

Sonessse ULTRA 504 A8 DC RS485
#1134022

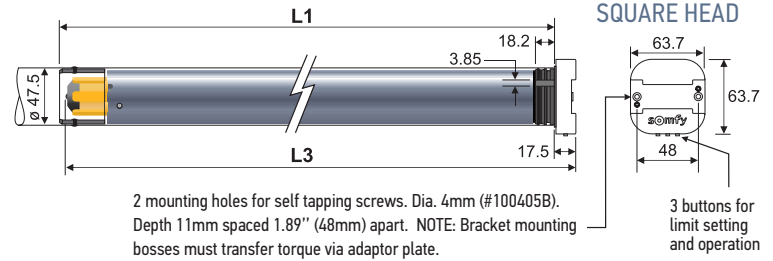


A new generation of intelligent motors that are controlled and monitored via Somfy Digital Network solutions and animeo® IP total solar management system.

Technical Features

Voltage Supply	24V DC
Index Protection Rating	IP 20 (interior use)
Limit Switch Type	Electronic
Limit Switch Capacity	38 Turns
Temperature Working Range	32°F to 140°F (0°C to 60°C) (interior use only)
Insulation Class	Class 3
Wiring	In accordance with NEC and local electrical codes.
Power Supply	Use only Somfy's power supplies to maintain UL listing requirements and guarantee motor's performance.

Dimensions



Dimensions

L1	30.7 in. (780 mm)
L3	31.5 in. (800 mm)
Data & Power Cable Length	10 in. (250 mm)

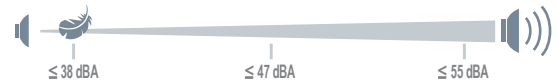
Specifications

- * **Minimum Torque:** Minimum application weight to ensure smooth operation.
- ** **Sound Level:** According to standards ISO 3741 NF 31022 in dBA ref 1pW at nominal torque without end product.

Fabrication Recommendations:

- Operational noise level is reduced when the motor, tube, and mechanical accessories are properly adapted to motorized applications.
- Free play must be minimized between the accessories and the end product tube to ensure quiet performance of the motor.
- Due to the variances of standard aluminum extrusion tolerances, it is recommended to screw the drive wheel & pin end to immobilize them and ensure quiet performance throughout the life of the product.
- Interior Tube Diameter (ID) > 47 mm must be respected.
- A motor crown adaptor between motor and end product tube is required to ensure concentric operation of the motor.
- 500 Series Drive Stop and Screw (9910004) is recommended to prevent noise and drive wheel separation from the motor shaft. This drive stop screw must be tightened with a torque ranging between 1.5 Nm and 1.8 Nm.
- Somfy Soft Clip Drive Wheel Adaptors (brown in color) are not recommended.

Torque	4 Nm
* Minimum Torque	0.4 Nm
Nominal Voltage	24V DC
Rated Current	1.5A
Rated Power	36W
Speed	Adjustable: 10-25 rpm (default: 25)
Thermal Protection	5 minutes
** Sound Level	≤ 38 dBA



Pigtail: Data and Power (Included with every motor. Also available separately, power and data pigtail (#9020004) or 5 position motor connector (#9020743) only.

<p>Weidmuller Connects to Network</p>	<p>Cable Detail View</p>	<p>JST to Motor</p>	<p>Connector Markings Detail View</p> <p>For detailed wiring go to page 19.</p> <p>Part # 9020743</p>	<p>Maximum Power Cable Length (to guarantee characteristics)</p> <table border="1"> <thead> <tr> <th>GAUGE</th> <th>LENGTH</th> </tr> </thead> <tbody> <tr> <td>14 AWG</td> <td>240 ft.</td> </tr> <tr> <td>16 AWG</td> <td>150 ft.</td> </tr> <tr> <td>18 AWG</td> <td>100 ft.</td> </tr> </tbody> </table>	GAUGE	LENGTH	14 AWG	240 ft.	16 AWG	150 ft.	18 AWG	100 ft.
GAUGE	LENGTH											
14 AWG	240 ft.											
16 AWG	150 ft.											
18 AWG	100 ft.											

NEW Sonesse® 30 RTS 24V DC

Sonesse 30 RTS 24V DC
#1241142

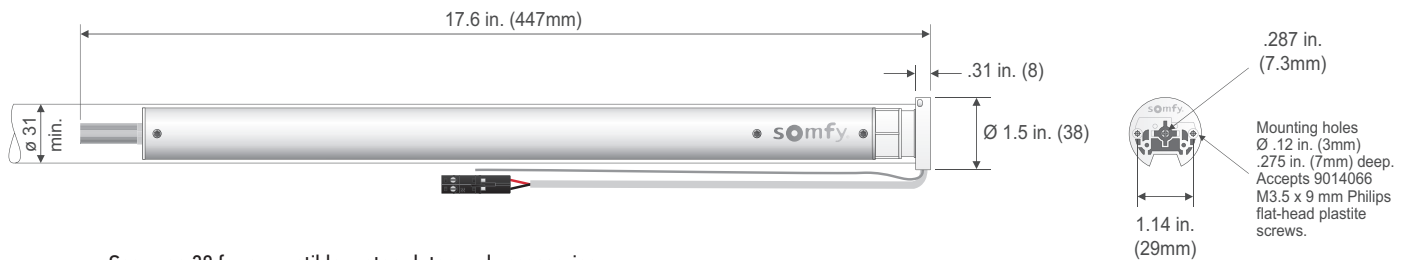


Radio Technology Somfy (RTS) allows for wireless radio control of motorized window coverings via the RTS family of controls.

Technical Features

Voltage Supply	24V DC	Temperature Working Range	32°F to 140°F (0°C to 60°C)
Index Protection Rating (interior use only)	IP 30	Insulation Class	Class III
Limit Switch Type	Electronic (RTS)	Antenna	7.5 in. (19cm) wire length, must not be cut or lengthened. For greatest RF range, antenna must be exposed.
Limit Switch Capacity	150 turns (limited to 6 minutes of rotation without stop)		

Dimensions



See page 38 for compatible motor plates and accessories.

Specifications

Voltage	24V DC
Rated current	.625 A
Standby power	.2W
Torque	2 Nm
Default speed	25 rpm
Speed range	6 to 28 rpm (speed regulated and adjustable)
Radio frequency	433.42 MHz
Thermal protection	6 minutes
Sound Level*	<42 dBA

*Sound level:

Power Level: according to standards ISO3741 in dB(A) ref 1pW typical value, at nominal torque and nominal speed, without application/end product.

Fabrication recommendations:

- Operational noise level is reduced when motor, tube, and mechanical accessories are properly adapted to motorized applications.
- Free play must be minimized between the accessories and the end product tube to ensure quiet performance of the motor.
- Interior Tube Diameter (ID) > 31 mm must be respected.
- A motor crown adaptor between motor and end product tube is required to ensure concentric operation of motor.
- Sonesse 30 Series drive stop and screw (included with crown and drive) are recommended to prevent noise and drive wheel separation from motor shaft.

Type of power cable

24V DC POWER CABLE
AWG24 – 1 Cable: 2 wire
(9.8 in. Weidmüller pigtail non-removable)



Maximum Power Cable Length (to guarantee characteristics)

GAUGE	LENGTH
14 AWG	240 ft.
16 AWG	150 ft.
18 AWG	100 ft.

Sonesse® 30 RS485

Sonesse 30 RS485

#1000658



Somfy Digital Network (SDN), is Somfy's proprietary digital communication backbone compatible with industry standard RS485

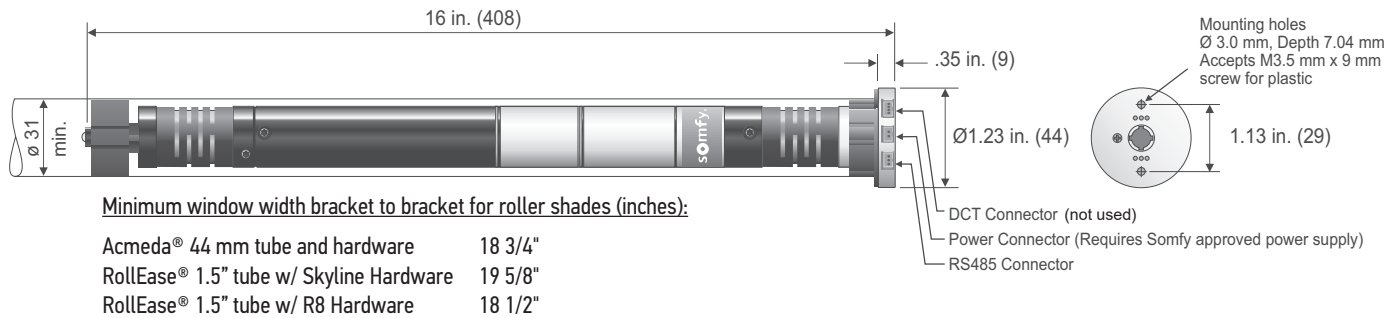
Technical Features

Voltage Supply	24V DC
Index Protection Rating	IP 30
Limit Switch Type	Digital
Limit Switch Capacity	35 Turns

Temperature Working Range	32°F to 140°F (0°C to 60°C)
Insulation Class	Class III

NOTE: Power/Control motor cables are included with motor. Limit Setting Tool and Address Reader #9017142 and Sonesse® 30 RS485 New JST to RJ45 Communication Cable #9019191 are required for setting limits. (sold separately)

Dimensions



Specifications

Voltage	24V DC
Motor power connector	2 pin JST, 2 mm pitch
Motor RS485 connector	3 pin JST, 2.54 mm pitch
Motor DCT connector (not used)	4 pin JST, 2 mm pitch
Nominal load starting current	1.8A for max. 300 ms
Nominal load current	.8A
Maximum current during programming	3.2A for 300 ms.
Torque	2 Nm
Speed	Adjustable: 10-28 rpm (default: 28)
Thermal protection	2.5 minutes
Minimum inside diameter of tube	1.22 in. (31 mm)
Sound Level*	44 dBA

*Sound level:

Power Level : according to standards ISO3741 in dB(A) re 1pW
Typical Value, at nominal torque, at 10rpm, without application/end-product

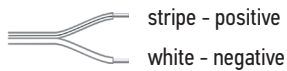
Fabrication recommendations:

- Operational noise level is reduced when motor, tube, and mechanical accessories are properly adapted to motorized applications.
- Limit setting to be set with Limit Setting Tool #9017142
- Free play must be minimized between the accessories and the end product tube to ensure quiet performance of the motor.
- Interior Tube Diameter (ID) > 31 mm must be respected.
- A motor crown adaptor between motor and end product tube is required to ensure concentric operation of motor.
- ST30 Series Drive Stop and Screw (included with crown and drive), are recommended to prevent noise and drive wheel separation from motor shaft.

Type of power and data cables (included)

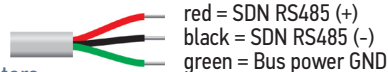
24V DC POWER CABLE #9014794

2-Conductor
7.5' Length
24 AWG Conductors



RS485 COMMUNICATION CABLE #9019190

3-Conductor
7.5' Length
24 AWG Conductors



Maximum Power Cable Length (to guarantee characteristics)

GAUGE	LENGTH
14 AWG	240 ft.
16 AWG	150 ft.
18 AWG	100 ft.

Optional Pigtail: Sonesse 30 DC RS485 Cable Data and Power Pigtail #9020261 (sold separately).

See page 13 for reference.

Sonesse® 30 DCT

Sonesse 30 DCT
#1000668



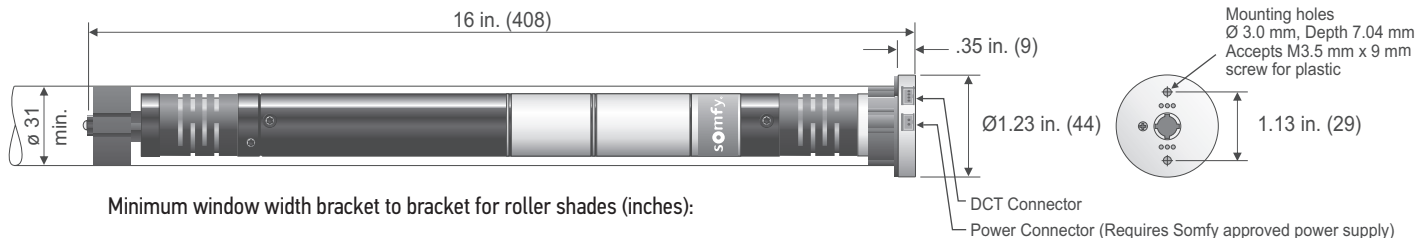
DRY CONTACT

Offers control via contact closure switching (dry contact)

Technical Features

Voltage Supply	24V DC	Temperature Working Range	32°F to 140°F (0°C to 60°C)
Index Protection Rating (interior use only)	IP 30	Insulation Class	Class III
Limit Switch Type	Dry Contact	NOTE: Power/Control motor cables are included with motor. Limit Setting Tool #9014599 is required for setting limits. (sold separately)	
Limit Switch Capacity	35 Turns		

Dimensions



Minimum window width bracket to bracket for roller shades (inches):

Acmeda® 44 mm tube and hardware	18 3/4"
RollEase® 1.5" tube w/ Skyline Hardware	19 5/8"
RollEase® 1.5" tube w/ R8 Hardware	18 1/2"

Specifications

Voltage	24V DC
Motor power connection	2 pin JST, 2 mm pitch
Motor DCT connector	4 pin JST, 2 mm pitch
Nominal load starting current	1.8A for max. 300 ms
Nominal load current	.8A
Maximum current during programming	3.2A for 300 ms
Torque	2 Nm
Speed	Adjustable 10–28 rpm (default 28)
Thermal protection	2.5 minutes
Minimum inside diameter of tube	1.22 in. (31mm)
Sound Level*	< 44 dBA

*Sound level:

Power Level : according to standards ISO3741 in dB(A) re1pW
Typical Value, at nominal torque, at 10rpm, without application/
end-product

Fabrication recommendations:

- Operational noise level is reduced when motor, tube, and mechanical accessories are properly adapted to motorized applications.
- Free play must be minimized between the accessories and the end product tube to ensure quiet performance of the motor.
- Interior Tube Diameter (ID) > 31 mm must be respected.
- A motor crown adaptor between motor and end product tube is required to ensure concentric operation of motor.
- ST30 Series Drive Stop and Screw (included with crown and drive), are recommended to prevent noise and drive wheel separation from motor shaft.

Type of power cable (included with motor)

24V DC POWER CABLE #9014794

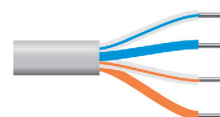
2-Conductor
7.5' Length
24 AWG Conductors



stripe - positive
white - negative

DCT COMMUNICATION CABLE #9014793

4-Conductor
7.5' Length
24 AWG Conductors



white/blue = up
blue = stop
white/orange = down
orange = ground

CONTROL ACCESSORIES

Learn more about controls and accessories and download RTS brochure at www.somfy.com/controls



RADIO TECHNOLOGY SOMFY® (RTS)

SITUO & TELIS COLLECTIONS



Situotm 1 RTS
Pure Single
Channel Remote
1870571



Situotm 5 RTS
Pure Five
Channel Remote
1870575



Situotm 1 RTS
Iron Single
Channel Remote
1870572



Situotm 5 RTS
Iron Five
Channel Remote
1870576



Situotm 1 RTS
Natural Single
Channel Remote
1870573



Situotm 5 RTS
Natural Five
Channel Remote
1870577



Situotm 1 RTS
Arctic Single
Channel Remote
1870574



Situotm 5 RTS
Arctic Five
Channel Remote
1870578



Situotm 5 RTS
Soliris Five
Channel Remote
1870579



Situotm 5 RTS
Variation Five
Channel Remote
1811612



Telis 1 RTS Patio
Single Channel
Remote
1810643



Telis 4 RTS Patio
Five Channel
Remote
1810645



Telis 16 Channel RTS
Pure Remote with
On-screen display
1811081



Telis 16 Channel RTS
Silver Remote with
On-screen display
1811082



Telis 1 Chronis RTS
Pure Timer with
On-screen display
1805237

DECOFLEX WIREFREE™ WALL SWITCHES

SMOOVE® WALL SWITCH



DecoFlex WireFree™
RTS 1 Channel
Wall Switch



DecoFlex WireFree™
RTS 2 Channel
Wall Switch



DecoFlex WireFree™
RTS 3 Channel
Wall Switch



DecoFlex WireFree™
RTS 4 Channel
Wall Switch



DecoFlex WireFree™
RTS 5 Channel
Wall Switch



Smoove® 1 RTS Pure
1811533



Smoove® 4 RTS Pure
1811748

- Wall switches shown in white. Also available in black and ivory finishes.
- Shown assembled with printed channel buttons.
- Custom engraved buttons are also available.



Black



Ivory

Visit tools page for software to configure keypads, www.somfypro.com/decoflex-custom-button

- Battery-operated convenience
- Surface mounts with ease
- Frames available in 7 colors
- Double-gang Pure frame available



TABLE TOP ACCESSORIES

INDOOR SENSOR

RTS REPEATER



DecoFlex WireFree™ RTS
Table Top Accessory
Black
1811051*



DecoFlex WireFree™ RTS
Table Top Accessory
Silver
1810972*



DecoFlex WireFree™ RTS
Table Top Accessory
White
1811185*



Sunis Indoor
WireFree™ RTS
9013707



RTS Repeater
1810791

*DecoFlex Switch sold separately from Table Top Accessory.

CONTROL ACCESSORIES

INTEGRATION ACCESSORIES

ZRTSI II



Z-Wave® to RTS Interface II

The Somfy Z-Wave® to Radio Technology Somfy Interface (ZRTSI) translates Z-wave® commands from third-party systems into motor control commands for Somfy's range of Radio Technology Somfy® (RTS) motors.

1811265

WIFI TO RTS/ZIGBEE INTERFACES



myLink™ RTS Smartphone & Tablet Interface
1811403

Control window coverings, awnings, screens and rolling shutters using your tablet, smartphone or voice. Create timed events, scenes and more. Integration-ready for third-party control.



TaHoma® RTS/Zigbee Smartphone & Tablet Interface
1811731

TAHOMA ETHERNET ADAPTOR



TaHoma Ethernet Adaptor

The TaHoma® Ethernet Adaptor adds an Ethernet LAN port to TaHoma, providing fast and stable internet connection.

1870470

16 CHANNEL INTERFACE



Universal RTS Interface 16-Channel

The URTSI allows third-party automation systems to control Radio Technology Somfy® (RTS) motorized solutions.

1810872

DRY CONTACT INTERFACE



RTS Dry Contact Interface Single Channel

The RTS Dry-Contact Interface can be used to communicate between home automation or other third-party systems and Somfy's RTS products.

1810493

ZDMI



Z-Wave® to Digital Motor Interface

Integrate Z-Wave® wireless control of window coverings powered by Somfy SDN motors and benefit from the versatility of Z-Wave® wireless mesh technology and the quiet intelligence of the Sonesse® SDN motor.

1870171

SOMFY CONNECT™ LTI



Integrates Somfy RTS and Somfy Digital Network™ (SDN) motorized applications with RadioRA® 2, HomeWorks® QS, GRAFIF Eye® QS, and Quantum™ control systems.

1870210

SOMFY CONNECT™ UNIVERSAL AUTOMATION INTERFACE (UAI) PLUS



The Somfy Connect™ Universal Automation Interface (UAI) Plus allows for commissioning and integrating Somfy Digital Network™ (SDN) over IP.

1870272

SOMFY CONNECT™ BMS INTERFACE



Provides communication between building management systems and SDN motorized shading systems.

1870249

CONTROL ACCESSORIES

Learn more about Somfy Digital Network™ (SDN) RS485 controls and accessories at www.somfy.com/sdn



SOMFY DIGITAL NETWORK™ (SDN) RS485

POWER PANEL FOR SDN



The Power Panel is an SDN bus distribution component used to add 10 isolated motor ports and two isolated device ports to an SDN bus segment.

1870259

DATA PANEL



The Data Panel is a bus distribution component used to start or grow a Somfy Digital Network™ (SDN) system. This device adds 4 isolated bus segments to an SDN system.

1870260

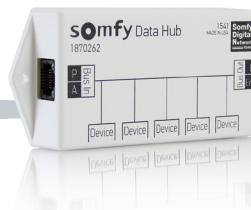
BUS & SENSOR STATION POWER SUPPLY



The Somfy Bus and Sensor Station Power Supply provides 24V DC power to the SDN bus. Each Power Supply can provide power to up to 100 bus line devices (excluding motors).

1822440

DATA HUB



The Data Hub is a Somfy Digital Network™ (SDN) bus distribution component which adds 5 device ports to an SDN Bus line.

1870262

SDN MINI DATA HUB



The SDN Mini Data Hub is a Somfy Digital Network™ (SDN) bus distribution component which adds 3 Device Ports to an SDN Bus line.

1870277

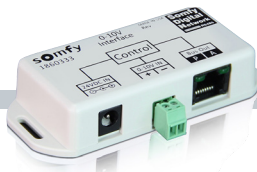
SDN ROOM CONTROLLER HUB



The SDN Room Controller Hub is a Somfy Digital Network™ (SDN) component which features 4 Motor Ports and 1 Device Port as an SDN Room controller. This product is powered by the RS485 motors using grey Somfy communication cables.

1870278

SDN 0-10V INTERFACE



The 0-10V Interface is a Somfy Digital Network™ (SDN) device which receives industry standard 0-10V control input to operate SDN RS485 motors.

10-Position Version: 1860333
11-Position Version: 1870489

RTS RECEIVER FOR SDN AND ANIMEO® IP



The RTS Receiver for SDN connects directly to the SDN bus and is fully compatible with all RTS transmitters. Control up to 5 groups of motors on the network using an RTS transmitter. The Receiver obtains its power directly from the bus — no external power required.

RTS Receiver for SDN: 1822294

The RTS Receiver for animeo® IP provides communication between building management systems and SDN motorized shading systems.

RTS Receiver for animeo® IP: 1822447

CONTROL ACCESSORIES

DECOFLEX DIGITAL KEYPADS (RS485)



STAND-ALONE SDN

SDN GROUP KEYPADS

animeo® IP



White: 6 Button 1811252
Black: 6 Button 1811311
Ivory: 6 Button 1811334

White: 8 Button 1811253
Black: 8 Button 1811312
Ivory: 8 Button 1811335

White: 6 Button 1811749

White: 8 Button 1811750

White: 6 Button 1811288
Black: 6 Button 1811328
Ivory: 6 Button 1811332

White: 8 Button 1811289
Black: 8 Button 1811329
Ivory: 8 Button 1811333

NOTE: Custom button ordering form available at www.somfypro.com/decoflex-custom-button
Visit tools page for software to configure keypads, www.somfypro.com/services-support/software

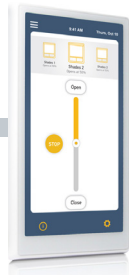
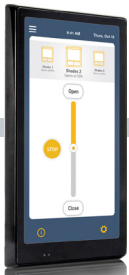
POWER OVER ETHERNET TECHNOLOGY



POE CONTROLS

POE GATEWAY

Power over Ethernet



PoE Touch Panel Room Controller
Black
1870731

PoE Touch Panel Room Controller
White
1870811

The SDN Power over Ethernet (PoE) Gateway is a low voltage power distribution and network-connected module that utilizes PoE (Power over Ethernet) technology to power and control the Somfy® 24V RS485 motorization offer for shades and draperies.

1860326

The Somfy PoE Touch Panel Room Controllers are touch screen interfaces that send commands, receive position status and allows grouping of SDN motors connected to Somfy POE Gateways.

DRY CONTACT TECHNOLOGY



DRY CONTACT SWITCHES



Sonesse® 30 DCT
White Wall Switch - 1800219
Ivory Wall Switch - 1800220

Sonesse® 50 DCT
Dry Contact Switch
1800410

animeo® IP



animeo IP is a total solar management system utilizing Somfy-powered intelligent motorized window coverings as well as digital keypads and weather sensors. The system's controllers, sensors and keypads can be added to both new and existing Somfy Digital Network installations for comprehensive solar management as either a stand-alone solution or integrated into third-party control systems. An intuitive user interface allows for simplified commissioning, building management and technical support, featuring drag-and-drop programming, motor auto discovery and at-a glance system status update.

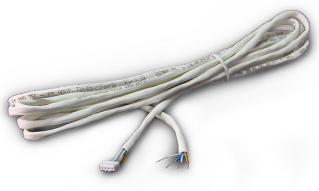



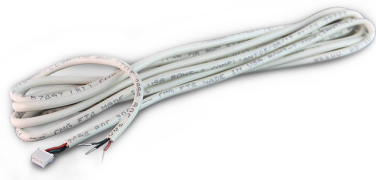

Please visit www.somfysystems.com/animeo-ip to learn more.




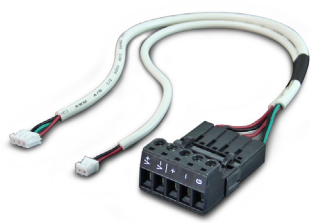


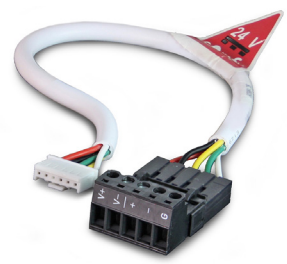

animeo IP Building Controller
1822314

LOW VOLTAGE POWER ACCESSORIES - CABLES AND PIGTAILS

SONESSE® 30 OPTIONAL POWER/CONTROL MOTOR CABLES

<p>Sonesse® 30 Dry Contact Closure (DCT) Cable</p>	<p>Sonesse® 30 24V DC 2 Conductor Power Cable</p>	<p>Sonesse® 30 RS485 New JST to RJ45 Communication Cable</p>
		 <p><i>Used for limit setting and operation of the motor.</i></p>
<p>9014793 7.5' length</p>	<p>9014794 7.5' length</p>	<p>9019191 8.2' length</p>
<p>Sonesse® 30 RS485 Control Cable *</p>	<p>Sonesse® 30 RS485 Communication **</p>	<p>Low Voltage RS485 Motor Limit Setting Cable</p>
		
<p><i>*Used for any Sonesse 30 RS485 motor manufactured before June 4, 2014</i></p>	<p><i>**Used for any Sonesse 30 RS485 motor manufactured after June 4, 2014</i></p>	
<p>9015842 7.5' length</p>	<p>9019190 7.5' length</p>	<p>9019873 20' Length</p>

SONESSE® PIGTAILS

<p>Weidmüller 2-Position Connector</p>	<p>Sonesse® 30 DC RS485 Cable Data and Power Pigtail</p>	<p>SDN Motor Male Connector</p>
		
<p>9027985</p>	<p>9020261</p>	<p>9020743</p>
<p>Sonesse® ULTRA 50 DC RTS Cable Power Pigtail</p>	<p>Sonesse® ULTRA 50 DC RS485 Cable Data and Power Pigtail</p>	<p>SDN Motor Female Connector</p>
		
<p>9020005</p>	<p>9020004</p>	<p>9025113</p>

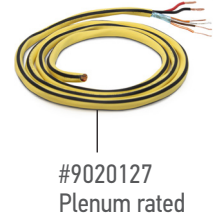
LOW VOLTAGE POWER ACCESSORIES - CABLES AND PIGTAILS

SDN LOW-VOLTAGE MOTOR POWER AND DATA CABLE

Overview:

The SDN Low-voltage Motor Power and Data Cable is the power and communication backbone that connects low-voltage Somfy Digital Network™ (SDN) RS485 motors including the Sonesse® ULTRA 50 DC RS485 motor and Sonesse® 30 RS485 Motor to Somfy's Power Panel for SDN. Within a single jacket, this cable includes (1) 14 AWG power pair, (1) 22 AWG stranded, twisted and shielded data triad and (1) 24 AWG drain wire for the most reliable data communication on the market. With this cable, motor wiring runs can reach up to 240 ft. This cable is offered in plenum rated and non-plenum rated versions.

Now available for purchase directly from Somfy.



Technical Specifications

Electrical Specifications:	9020126	9020127
22 AWG Data Triad		
Conductor DCR:	16.6 Ω/1,000 ft.	15.7 Ω/1,000 ft.
Capacitance:	12.5 pF/ft.	12 pF/ft.
Impedance:	100 Ω	107 Ω
14 AWG Power Pair		
Conductor DCR:	2.7 Ω/1,000 ft.	4.05 Ω/1,000 ft.
Max voltage:	300V	
Max current:	8A@77°F	
Cable diameter:	0.284 in. (7.21 mm)	0.277 in. (7.04 mm)
Cable jacket:	White	Yellow w/ black stripe
Cable jacket material:	Polyvinyl Chloride(PVC)	Plenum Rated Polyvinyl Chloride(PVC)
Operating temperature:	-4°F to 167°F (-20°C to 75°C)	32°F to 167°F (0°C to 75°C)
Weight:	0.056 lb./ft. or 56 lbs./1,000 ft. roll	0.059 lb./ft. or 59 lbs./1,000 ft. roll

Features:

- Accommodate longer wiring distances with installation lengths up to 240 ft.
- Installation flexibility with plenum and non-plenum rated options
- Minimize ground noise produced by motors, switches or other electrical equipment
- Prevent signal corruption, damage to components connected to the bus, ground loops
- Protect against electrical line surges
- UL certified
- The only cable that meets the SDN 2.0 quality promise

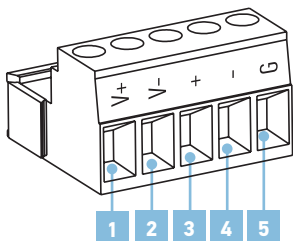


- Cable type:
 - Twisted wire - non-shielded:
 - 2 x 14 AWG 41-strand annealed bare copper conductors
 - Twisted and shielded:
 - 3 x 22 AWG 7-strand annealed bare copper conductors
 - 1 x 24 AWG: 7 strand, tinned copper (drain)
- Shield type: 100% aluminum/poly shield foil
- Cable length per spool: 1000 ft.
- Ripcord: Nylon
- Regulatory Certification(s):
 - NEC rated CL3R or CL3P
 - EU RoHS-2 2011/65/EU Compliant
 - UL13 compliant in accordance to NEC article 725

Related Products:

- Sonesse® 50 ULTRA DC RS485 Motor #1134022
- Data and power pigtail (Sonesse® 50 ULTRA DC) #9020004
- Sonesse® 30 RS485 Motor #1000658
- Data and power pigtail (Sonesse® 30) #9020261
- Power Panel for SDN #1870259

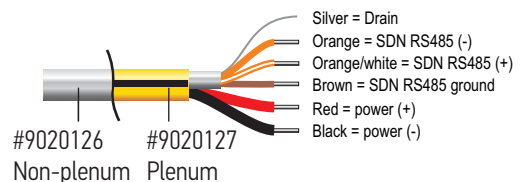
Connections and Indicators:



ELEMENT	FUNCTION
1 Voltage/Power - positive	24V DC Power positive input
2 Voltage/Power - negative	24V DC Power negative input
3 SDN RS485 - positive	Data communication - positive
4 SDN RS485 - negative	Data communication - negative
5 SDN RS485 - ground	Data communication - ground

Cable Pinouts

Somfy SDN Low-voltage Motor Cable
Data and Power Cable
24V DC / SDN Control
5 conductor cable



LOW VOLTAGE POWER ACCESSORIES - TRANSFORMERS AND TOOLS

PLUG-IN

PLUG-IN WALL TYPE



# of Motors	1 Motor
Dimensions	3.5" x 2.3" x 1.3"
Nominal Load	24V DC 1.67A
Part #	1822209

With 5 ft. cable - 20 AWG

Note: See Power Panel for SDN (#1870259) on page 11 for SDN RS485 Power Panel installations.



LIMIT SETTING TOOLS

LIMIT SETTING TOOL



Required for setting limits for Sonesse® 30 DCT motors

9014599

RS485 LIMIT SETTING TOOL



Required tool for motor limit setting, advanced motor settings and discovering motors for SDN RS485 motors.

9017142

LOW VOLTAGE RS485 MOTOR LIMIT SETTING CABLE



Cable used for connecting to low-voltage SDN RS485 motors to perform motor limit setting, advanced motor settings and discovery.

9019873

POWER/CONTROL DISTRIBUTION ENCLOSURE OPTIONS

Not to be used with SDN installations

5 MOTOR - #1870196

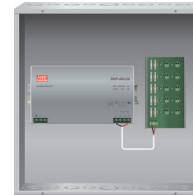


Kit includes:

- 1 - 5 Motor Distribution Panel
- 1 - 24V DC 10 Amp Power Supply
- 1 - 12 in. x 12 in. x 6.25 in. Enclosure



10 MOTOR - #1870192

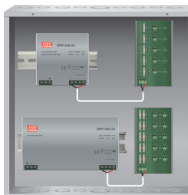


Kit includes:

- 1 - 10 Motor Distribution Panel
- 1 - 24V DC 20 Amp Power Supply
- 1 - 18 in. x 18 in. x 6.25 in. Enclosure



15 MOTOR - #1870197



Kit includes:

- 1 - 5 Motor Distribution Panel
- 1 - 10 Motor Distribution Panel
- 1 - 24V DC 10 Amp Power Supply
- 1 - 24V DC 20 Amp Power Supply
- 1 - 18 in. x 18 in. x 6.25 in. Enclosure



20 MOTOR - #1870198

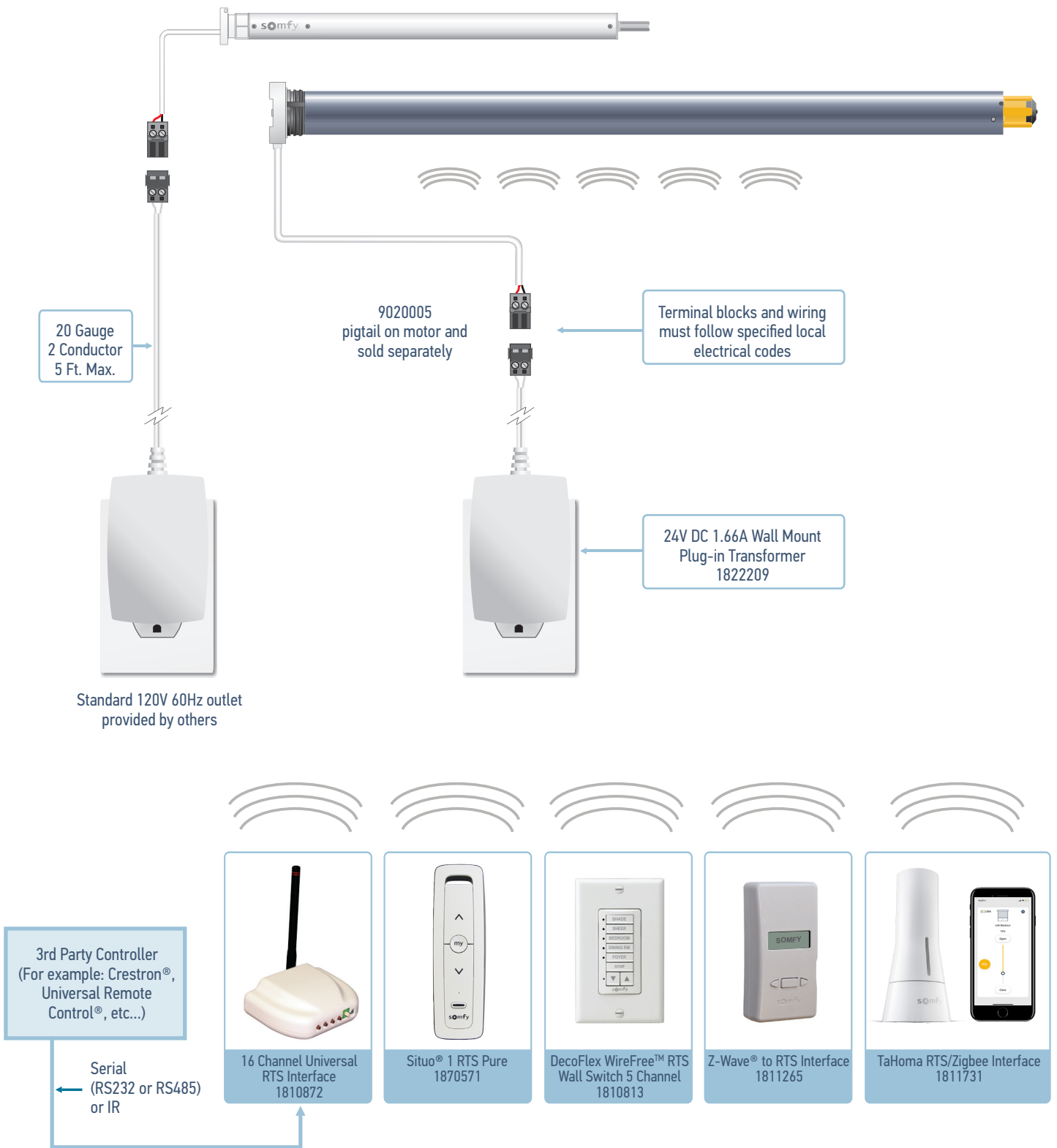


Kit includes:

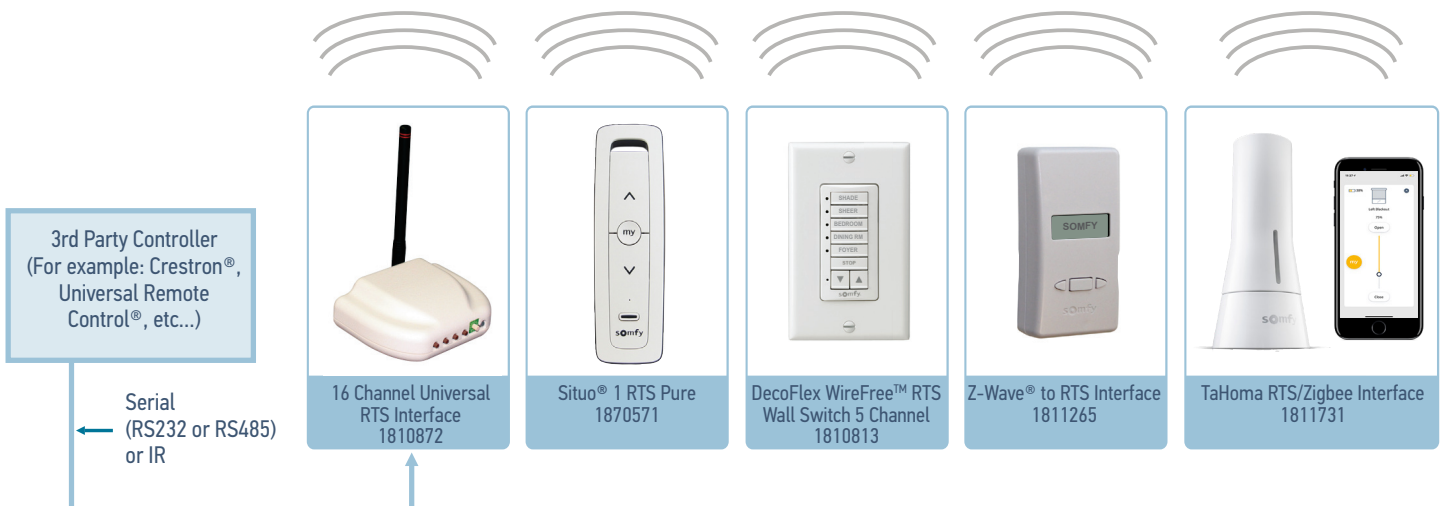
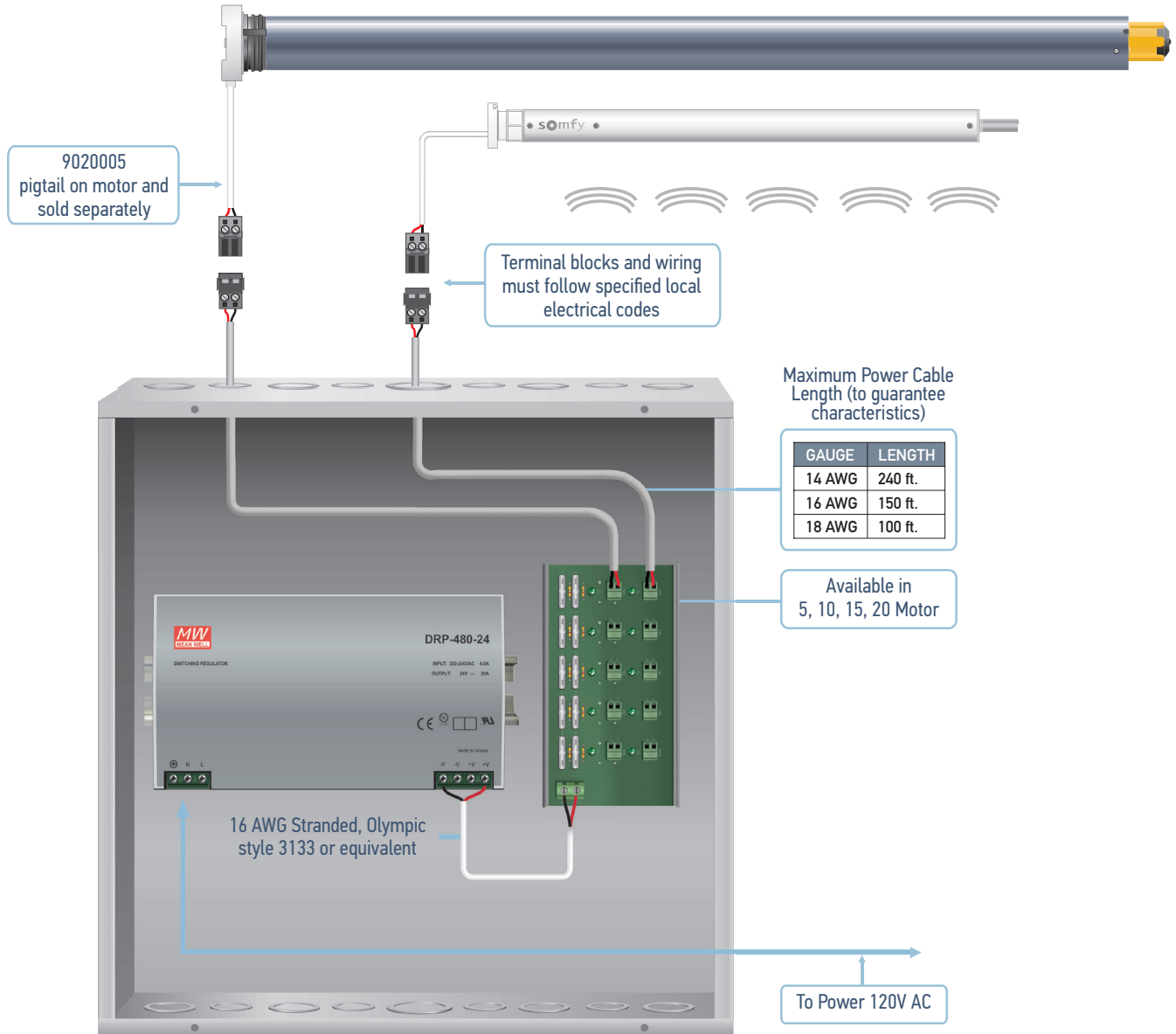
- 2 - 10 Motor Distribution Panel
- 2 - 24V DC 20 Amp Power Supply
- 1 - 18 in. x 18 in. x 6.25 in. Enclosure



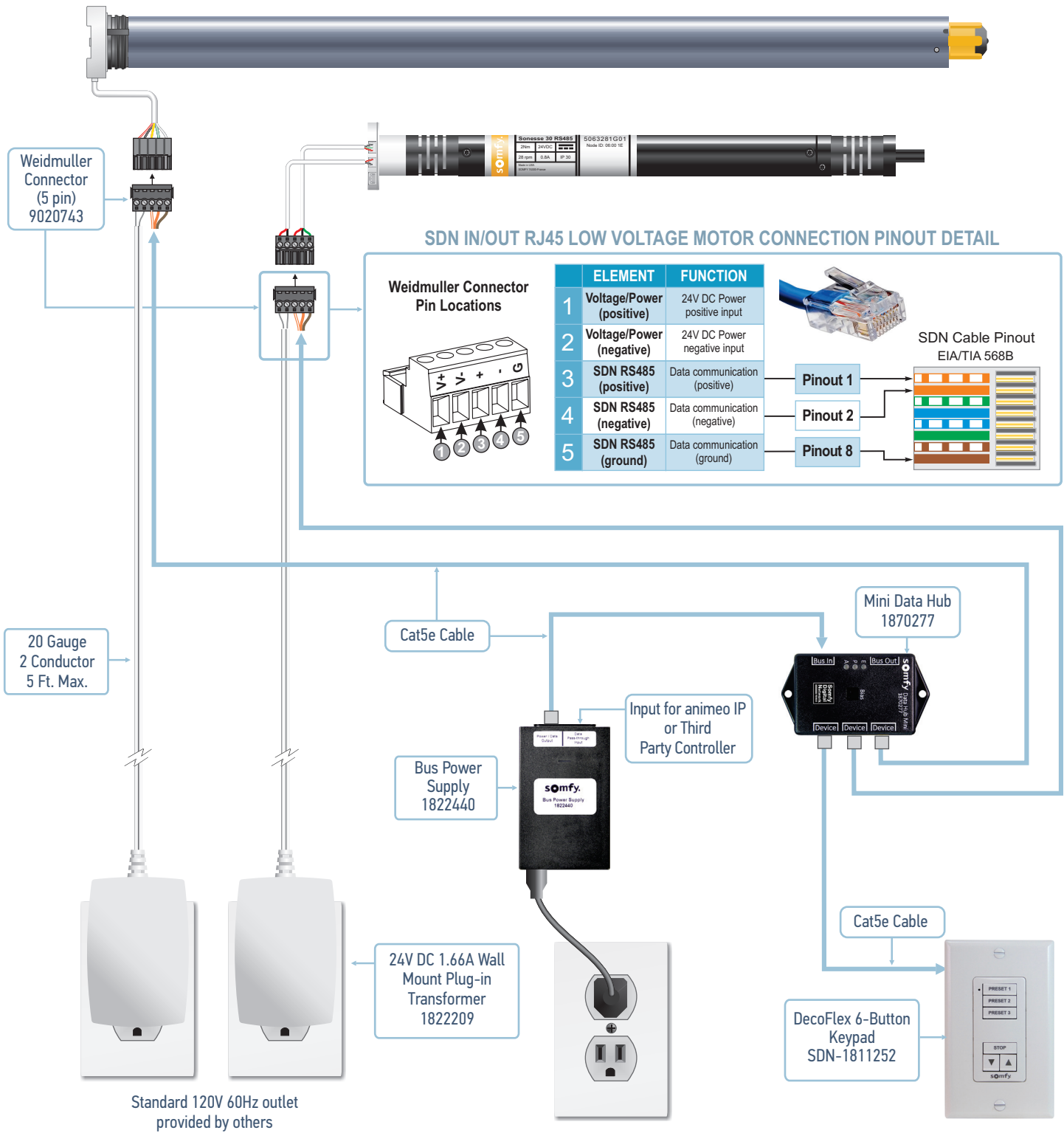
LOW VOLTAGE RTS CONTROL & PLUG-IN STYLE POWER



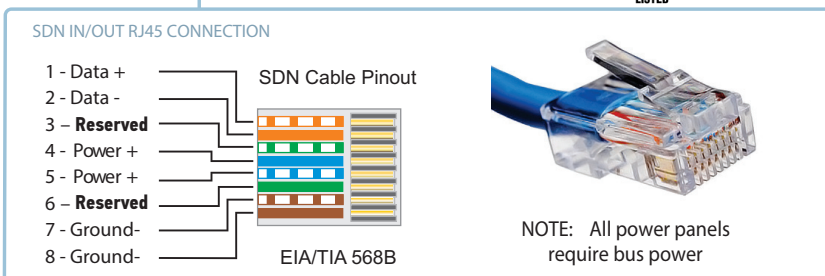
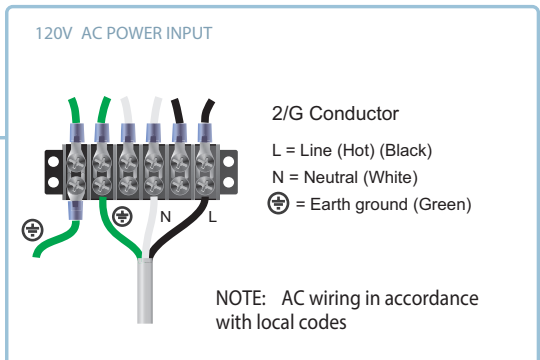
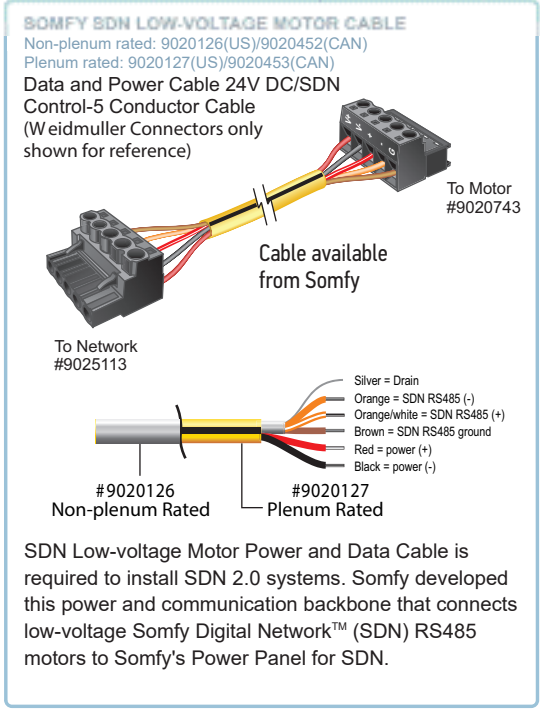
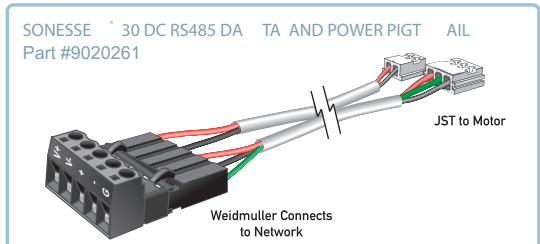
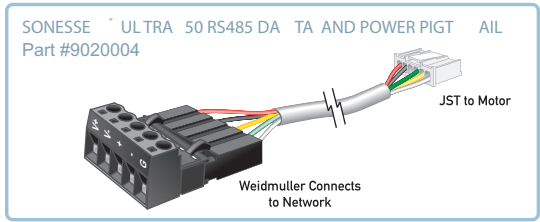
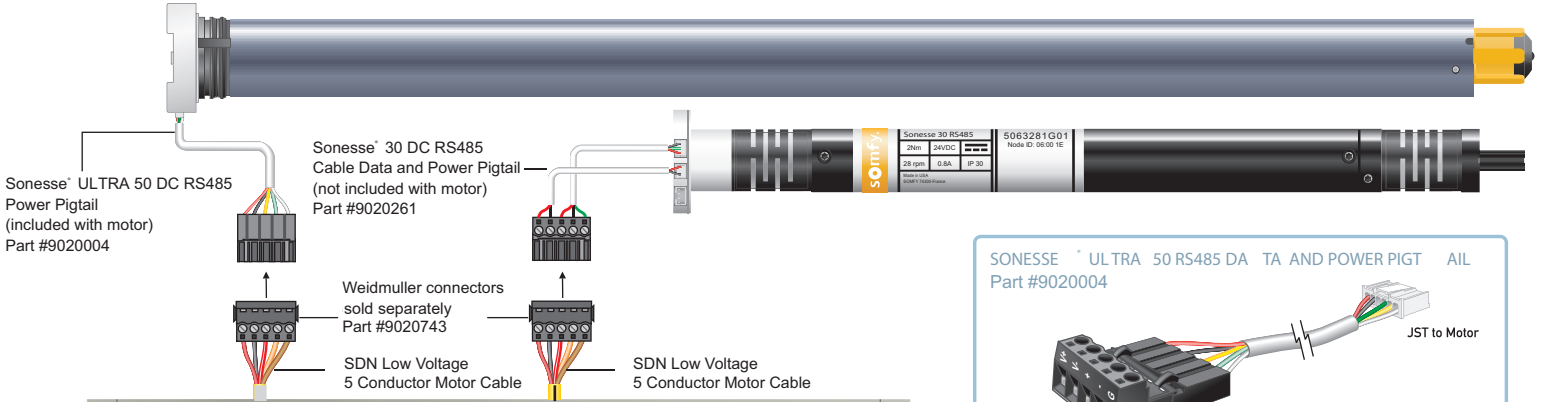
LOW VOLTAGE RTS CONTROL & POWER DISTRIBUTION



LOW VOLTAGE RS485 CONTROL & PLUG-IN STYLE POWER

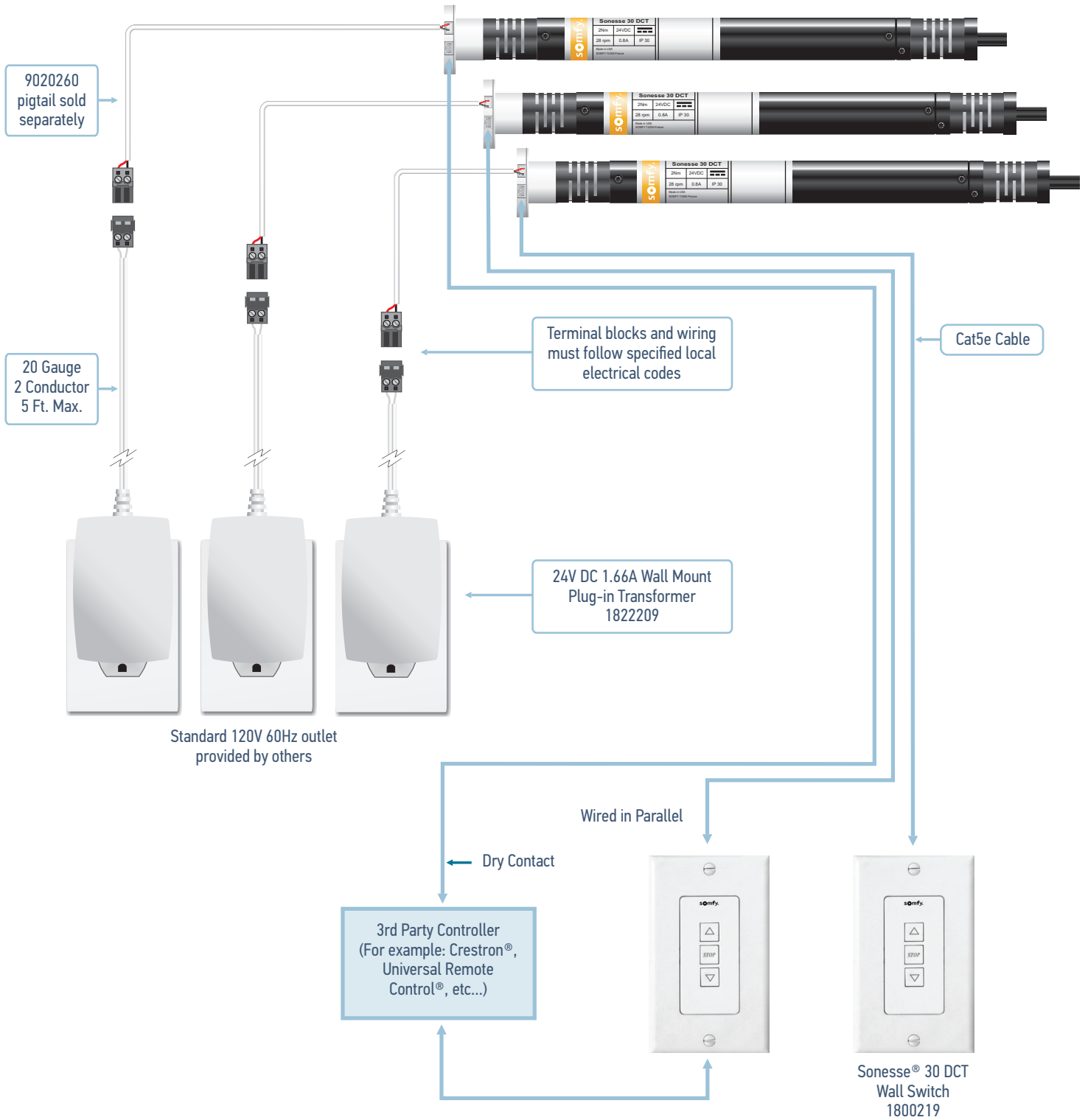


LOW VOLTAGE RS485 CONTROL & POWER DISTRIBUTION



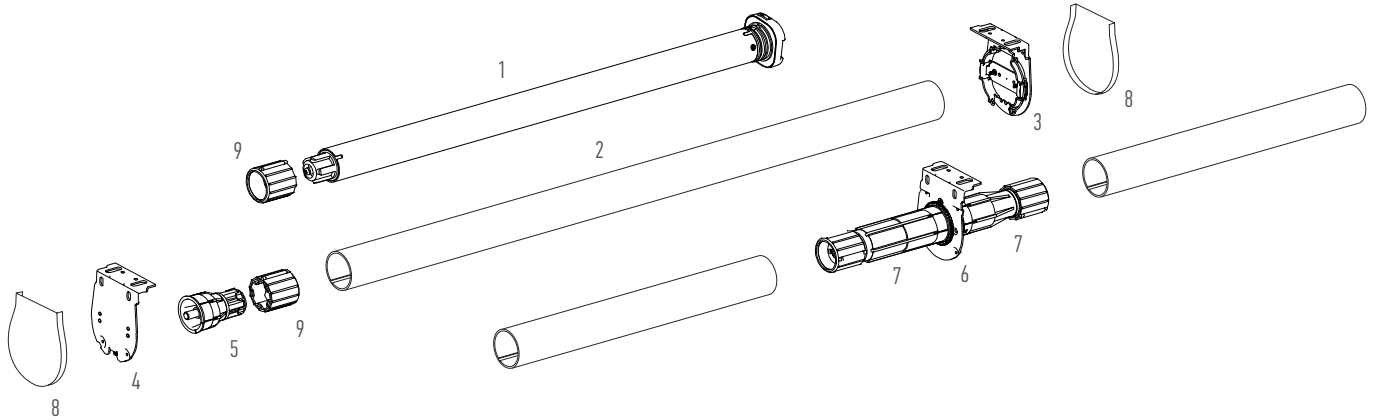
LOW VOLTAGE DRY CONTACT & PLUG-IN STYLE POWER

APPLICATION EXAMPLE

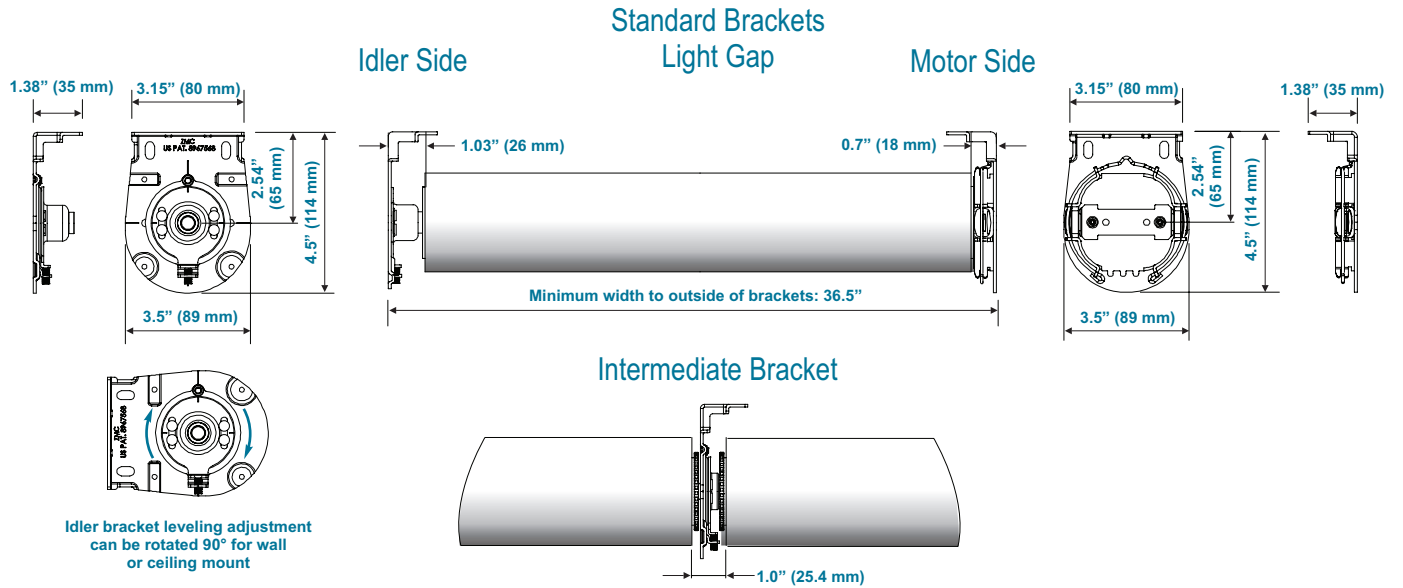


SONESSE® ULTRA 50 DC HARDWARE SYSTEMS - ZMC®

STANDARD BRACKET COMPONENTS



DIMENSIONS AND LIGHT GAP SPECIFICATIONS

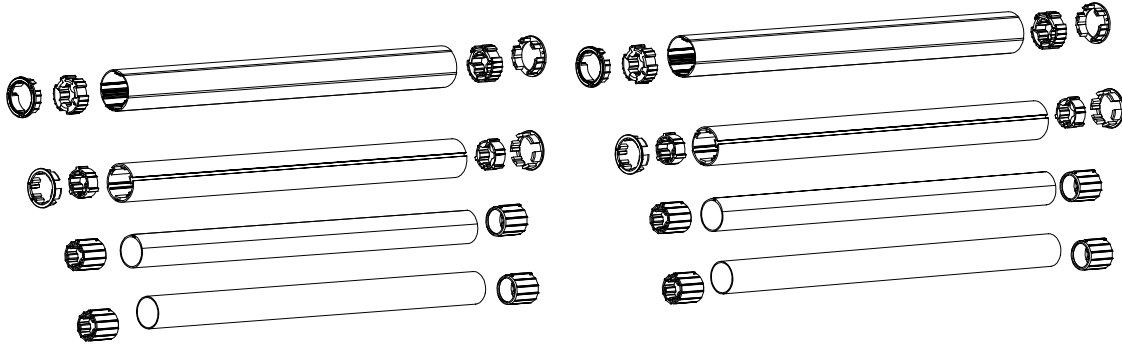


PRODUCT CHART

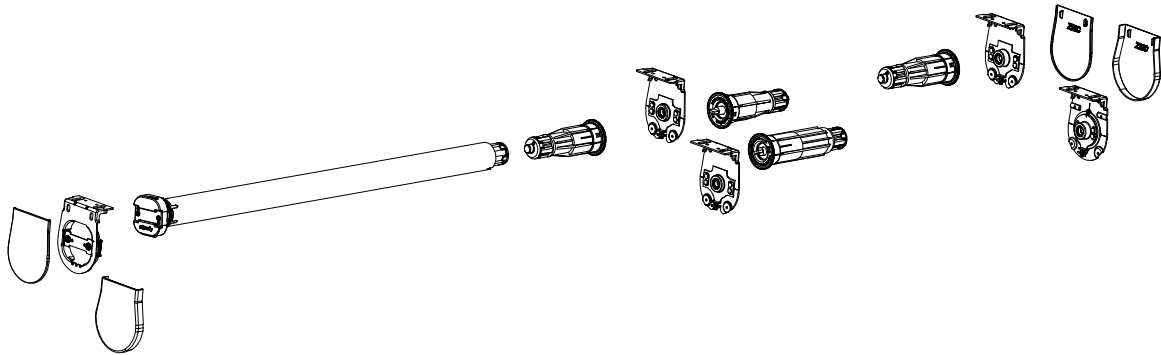
IMAGE	DESCRIPTION	CATALOG NUMBER
1	SONESSE® ULTRA 50 DC MOTOR (RTS) #1134023, RS485 #1134022	
2	ZMC 2" GROOVED MOTOR TUBE (PER FOOT)	9020965
3	SONESSE® ULTRA 50 DC MOTOR BRACKET WITH SPRING RING	9020957
4	SONESSE® ULTRA 50 DC IDLER BRACKET (10 MM BALL) (ADJUSTABLE WALL OR CEILING MOUNT)	9020958
5	SONESSE® ULTRA 50 DC UNIVERSAL SHORT IDLER END (10 MM)	9020959
6	SONESSE® ULTRA 50 DC INTERMEDIATE BRACKET (10 MM) (ADJUSTABLE WALL OR CEILING MOUNT)	9020961
7	SONESSE® ULTRA 50 DC INTERMEDIATE AND INDEXABLE COUPLER (10 MM SHAFT)	9020962
8	SONESSE® ULTRA 50 DC MOTOR AND IDLER BRACKET COVER	9020963
9	ZMC 2" GROOVED TUBE DRIVE WHEEL FOR SONESSE® ULTRA 50 MOTORS	9020964

SONESSE® ULTRA 50 DC HARDWARE SYSTEMS - ZMC®

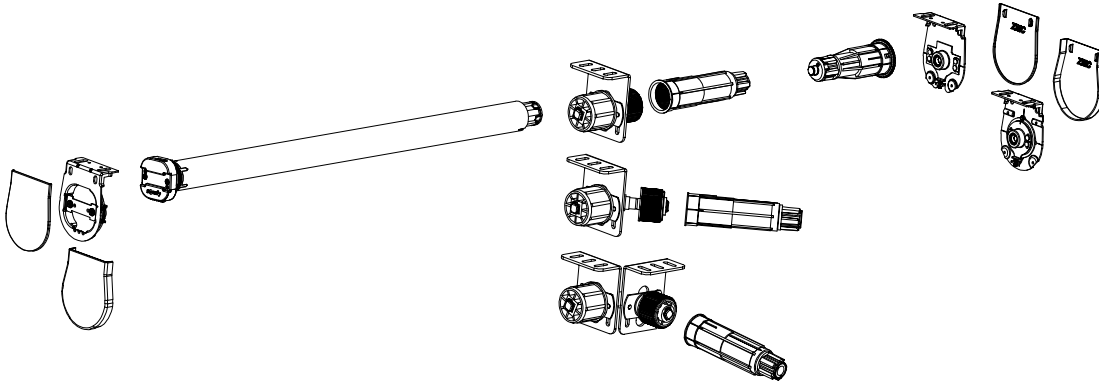
STANDARD AND ROLLER TUBE ACCESSORIES



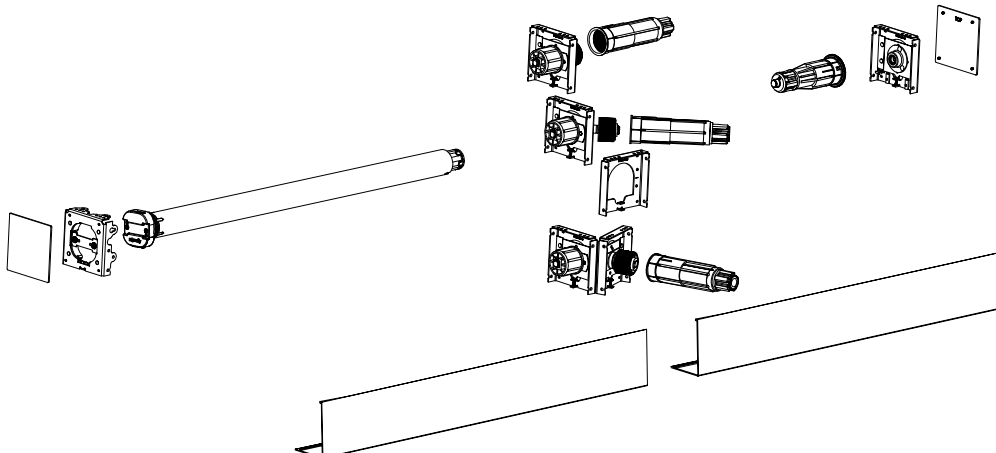
MOTOR BRACKETS AND ACCESSORIES FOR SONESSE ULTRA 50 DC MOTORS



MOTOR U-JOINT INDEXABLE BRACKET FOR SONESSE ULTRA 50 DC MOTORS

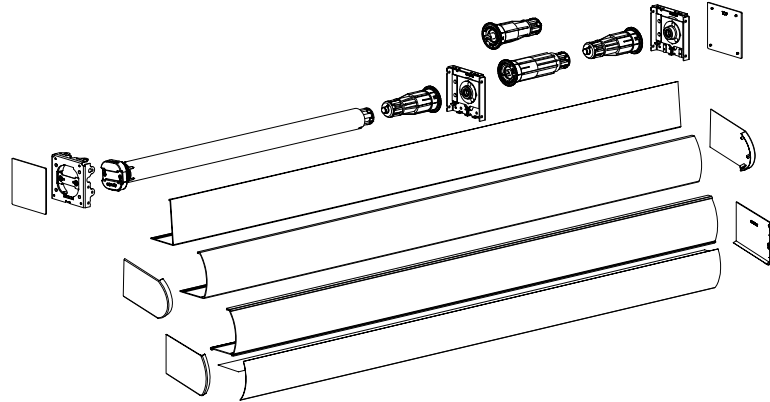


4" ADJUSTABLE U-JOINT INDEXABLE FASCIA BRACKET FOR SONESSE ULTRA 50 DC MOTORS

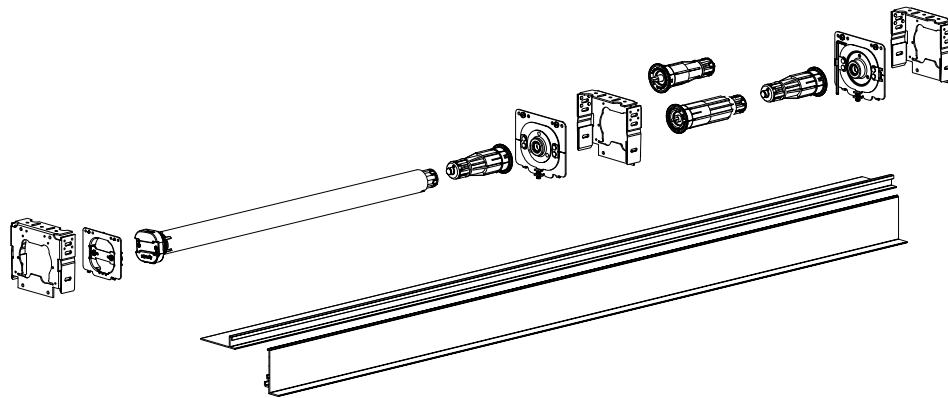


SONESSE® ULTRA 50 DC HARDWARE SYSTEMS - ZMC®

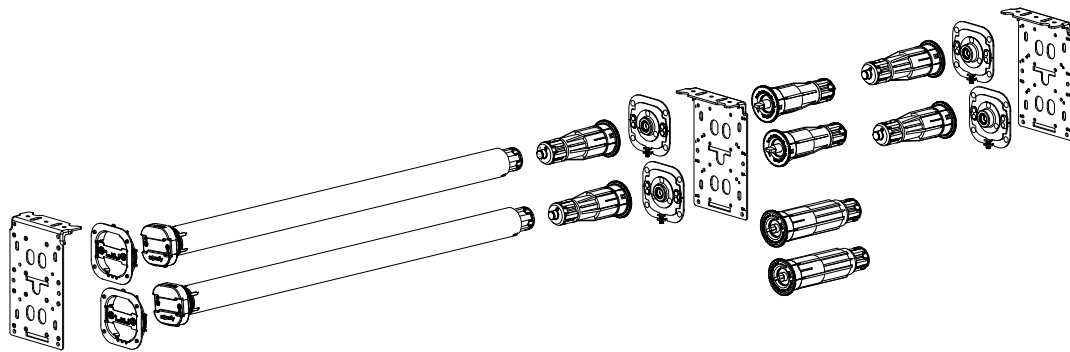
4" FASCIA BRACKETS FOR SONESSE ULTRA 50 DC MOTORS



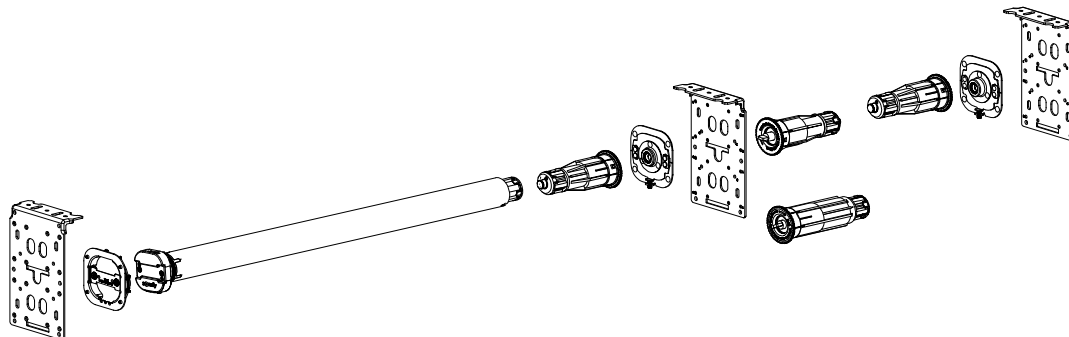
5.5" FASCIA SYSTEM FOR SONESSE ULTRA 50 DC MOTORS



7.5" OPEN ROLL DUO BRACKET FOR SONESSE ULTRA 50 DC MOTORS

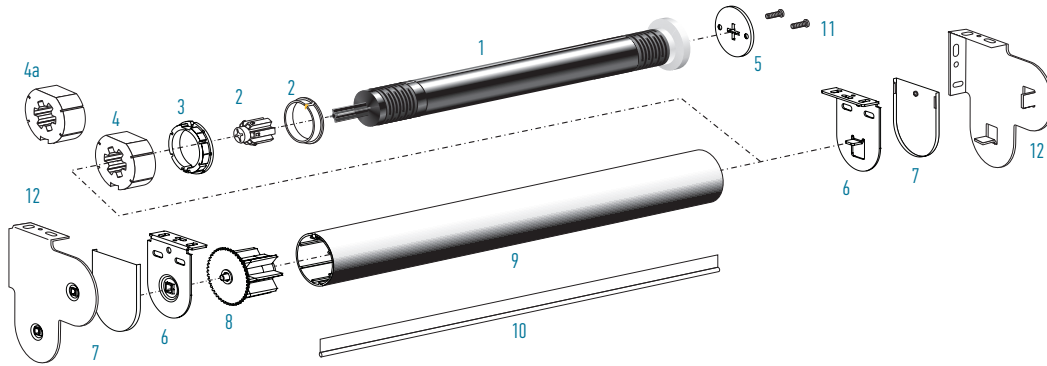


7.5" OPEN ROLL SINGLE BLIND BRACKET FOR SONESSE ULTRA 50 DC MOTORS

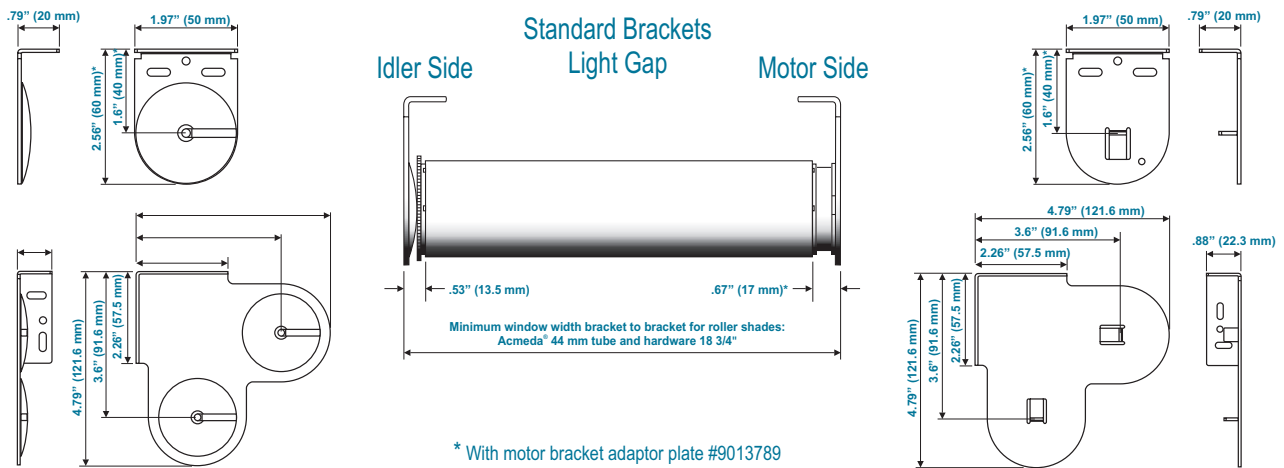


SONESSE® 30 HARDWARE SYSTEMS - Acmeda®

STANDARD BRACKET COMPONENTS



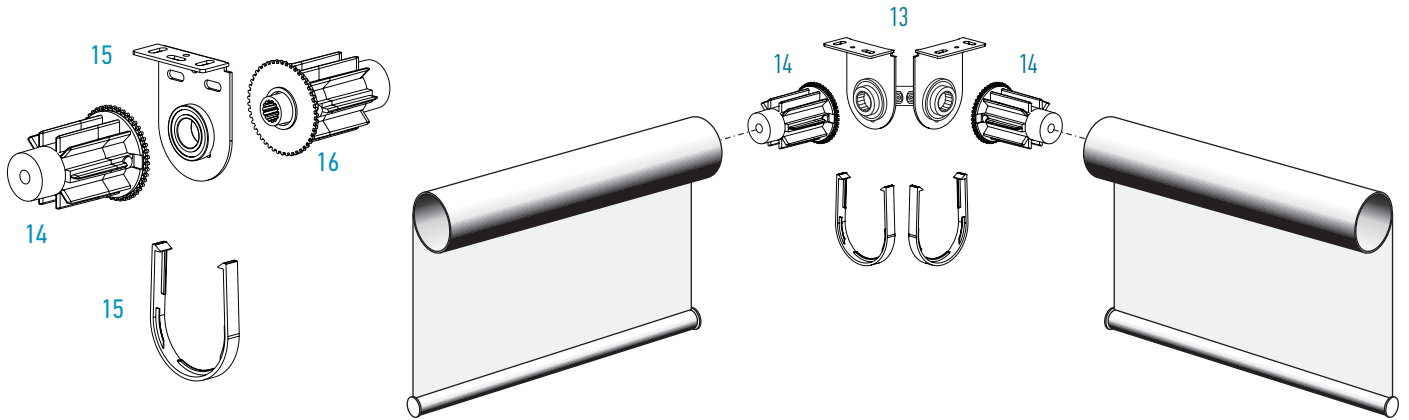
DIMENSIONS AND LIGHT GAP SPECIFICATIONS



PRODUCT CHART

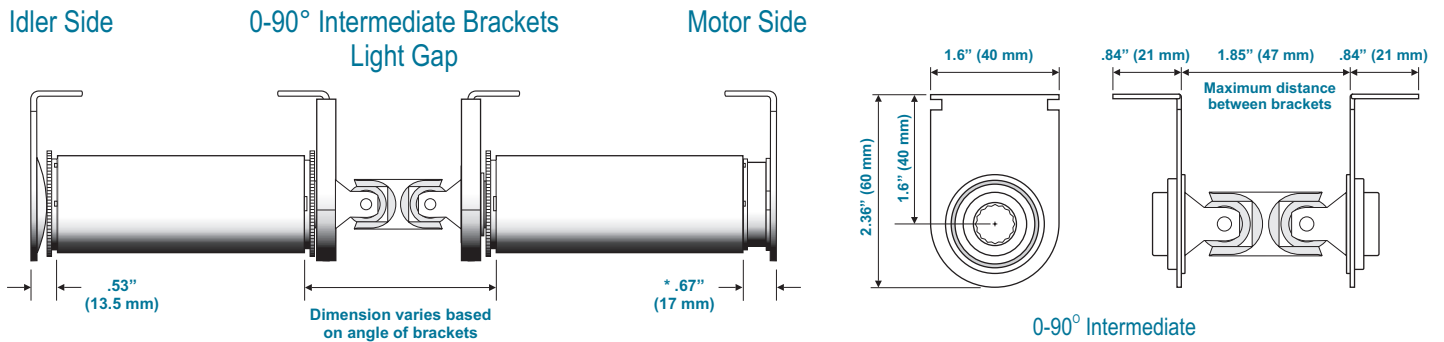
IMAGE	DESCRIPTION	CATALOG NUMBER
1	SONESSE® 30 MOTOR (RTS) #1001524, RS485 #1000658, DTC #1000668	
2	SONESSE® 30 TO LS40 ADAPTOR KIT (Required part for conversion)	9013776
3	CROWN ADAPTOR 44 MM TUBE (ACMEDA TYPE)	9013791
4	DRIVE WHEEL 44 MM (ACMEDA TYPE)	9013790
4A	SILENT DRIVE WHEEL 44 MM (ACMEDA TYPE)	9015259
5	MOTOR BRACKET ADAPTOR PLATE (ACMEDA TYPE)	9013789
6	MOTOR & IDLER BRACKET KIT 40P (ACMEDA TYPE)	9013778
7	PLASTIC BRACKET COVER 40P KIT (ACMEDA TYPE)	9013780
8	IDLER END PLUG 44 MM TUBE (ACMEDA TYPE)	9013774
9	44 MM ALUMINUM TUBE (16 FT. MAX LENGTH)	1780688
10	TUBE SPLINE 44 MM TUBE (ACMEDA TYPE)	1780687
11	M 3.5 x 9 MM SCREWS	9014066
12	MOTOR BRACKET COMBO SET 122 MM x 122 MM	9013782

INTERMEDIATE BRACKET COMPONENTS

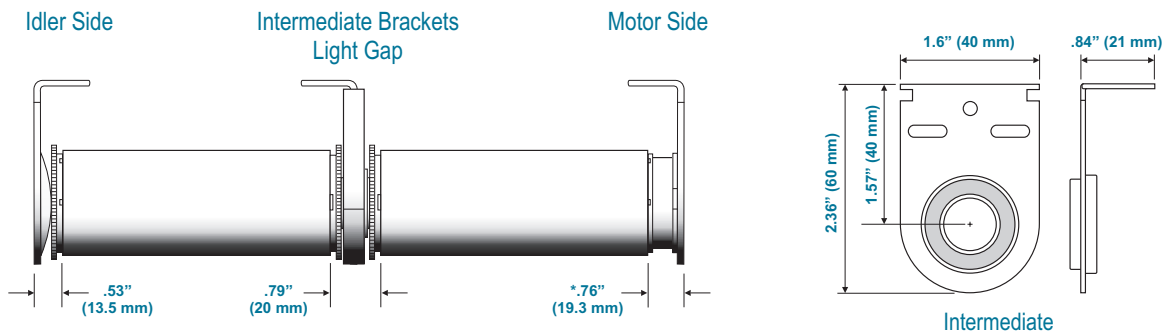


DIMENSIONS AND LIGHT GAP SPECIFICATIONS

0-90° COUPLED SHADES



IN-LINE COUPLED SHADES



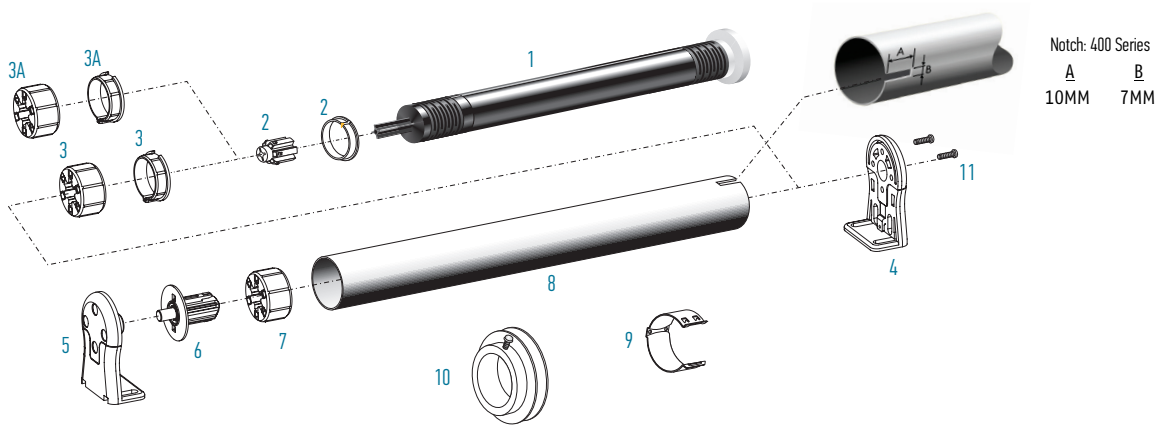
* With motor bracket adaptor plate #9013789

PRODUCT CHART

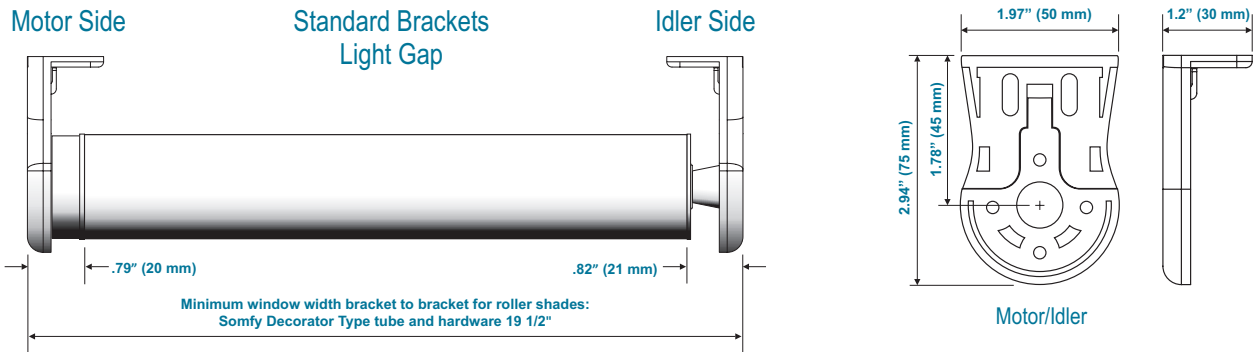
IMAGE	DESCRIPTION	CATALOG NUMBER
13	INTERMEDIATE BRACKET & COVER KIT 40P, 0-90 DEGREES (ACMEDA TYPE)	9013787
14	INTERMEDIATE MALE IDLER END PLUG (ACMEDA TYPE)	9013786
15	INTERMEDIATE BRACKET & COVER KIT 40P (ACMEDA TYPE)	9013783
16	INTERMEDIATE FEMALE IDLER END PLUG (ACMEDA TYPE)	9013785

SONESSE® 30 HARDWARE SYSTEMS - Somfy® Decorator Type

STANDARD BRACKET COMPONENTS



DIMENSIONS AND LIGHT GAP SPECIFICATIONS

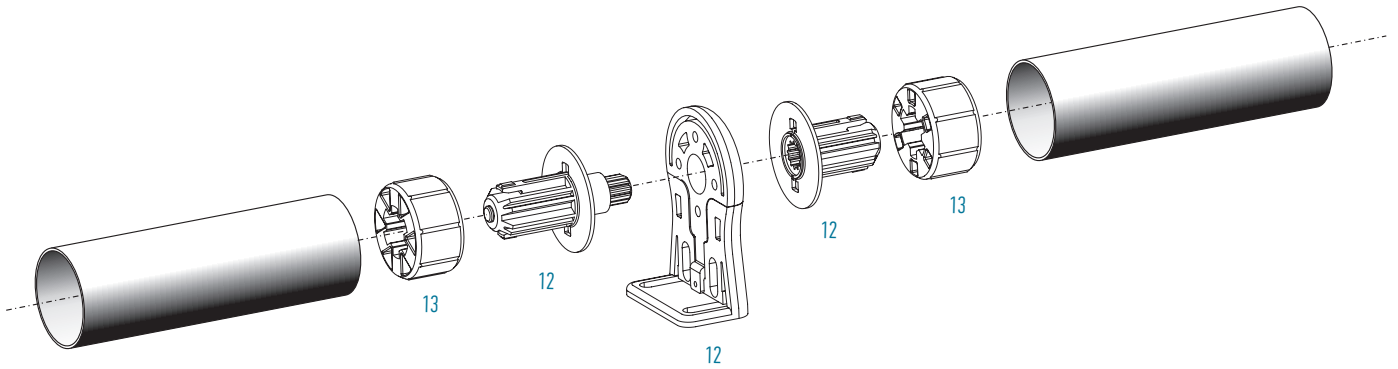


PRODUCT CHART

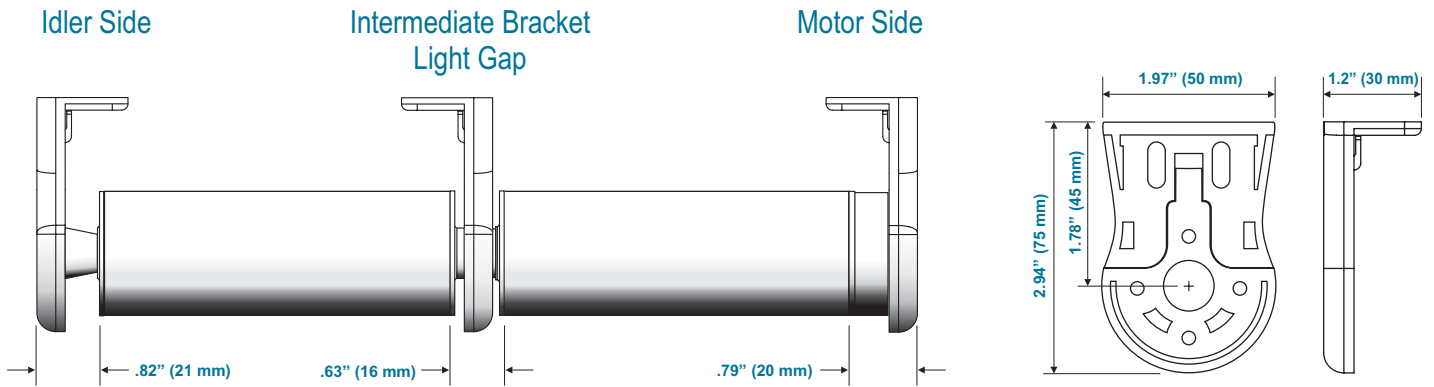
IMAGE	DESCRIPTION	CATALOG NUMBER
1	SONESSE® 30 MOTOR (RTS) #1001524, RS485 #1000658, DTC #1000668	
2	SONESSE® 30 TO LS40 ADAPTOR KIT (Required part for conversion)	9013776
3	CROWN AND DRIVE (SOMFY 40 MM x 1.5 MM ROUND TUBE)	9012224
3A	CROWN AND RUBBERIZED DRIVE (SOMFY 40 MM x 1.5 MM ROUND TUBE)	9016654
4	MOTOR BRACKET (DECORATOR TYPE)	9500683
5	IDLER END BRACKET (DECORATOR TYPE)	9500685
6	IDLER END PLUG (DECORATOR TYPE)	9500688
7	40 MM ROUND DRIVE (FOR USE WITH IDLER END PLUG)	9147544
8	SOMFY 40 MM ROUND TUBE (20 FT. MAX LENGTH)	1781153
9	CORD CLIPS FOR ROMAN SHADE APPLICATIONS	9012200
10	CORD TAKE-UP REEL (40 MM TUBE)	1781152
11	M3.5 x 9 MM SCREWS (Must be ordered separately when used with Sonesse® 30 motor range.)	9014066

SONESSE® 30 HARDWARE SYSTEMS - Somfy® Decorator Type

INTERMEDIATE BRACKET COMPONENTS



DIMENSIONS AND LIGHT GAP SPECIFICATIONS

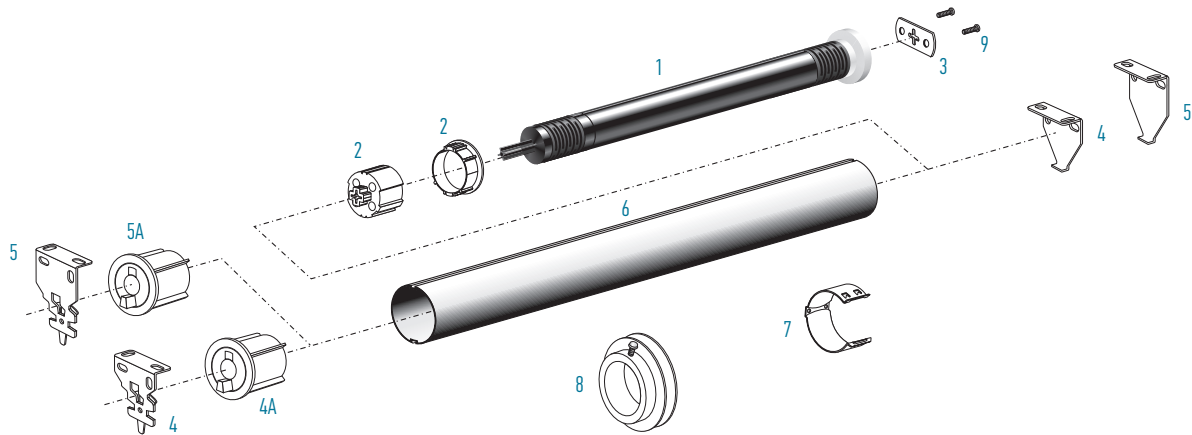


PRODUCT CHART

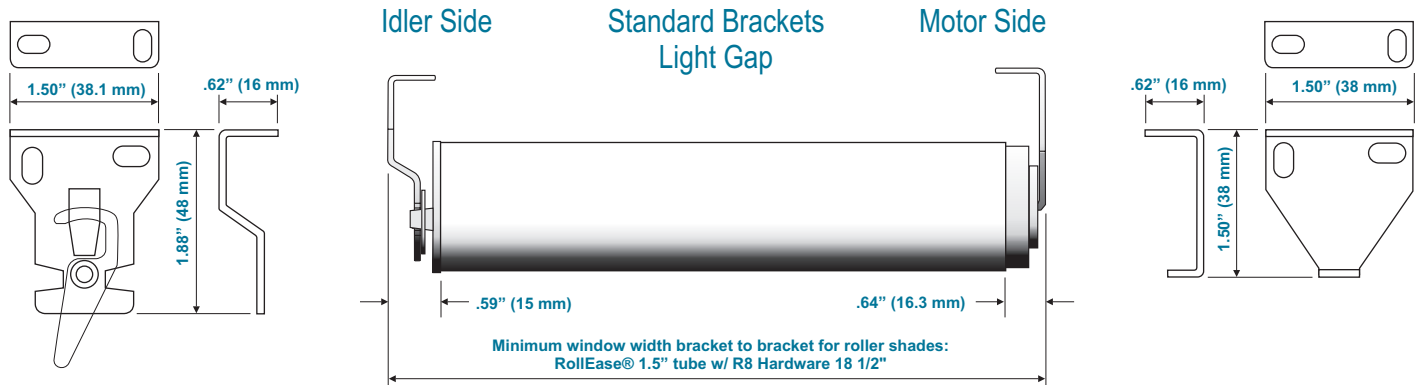
IMAGE	DESCRIPTION	CATALOG NUMBER
12	INTERMEDIATE BRACKET KIT (DECORATOR TYPE)	9500687
13	40 MM ROUND DRIVE (FOR USE WITH INTERMEDIATE BRACKET)	9147544

SONESSE® 30 HARDWARE SYSTEMS - Rollease® Standard & ZMC® XR-Series

STANDARD BRACKET COMPONENTS



DIMENSIONS AND LIGHT GAP SPECIFICATIONS

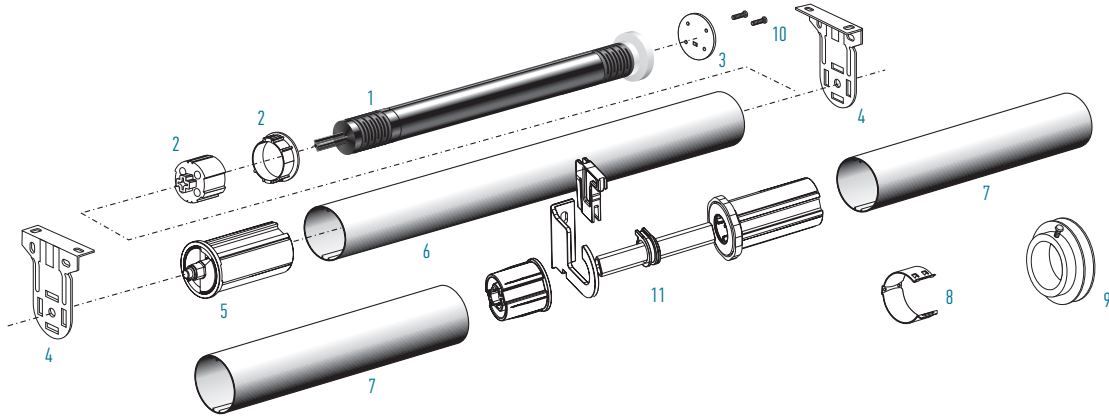


PRODUCT CHART

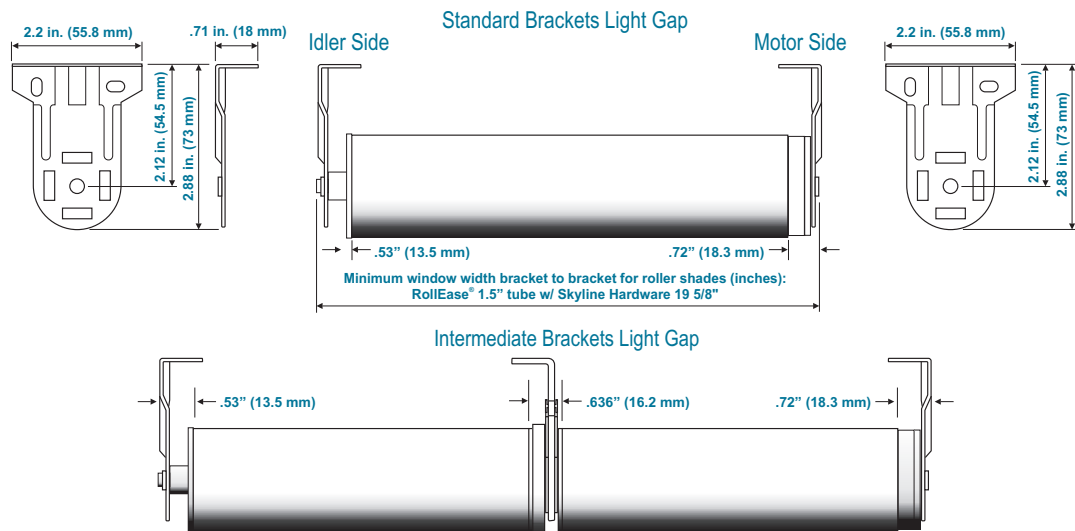
IMAGE	DESCRIPTION	CATALOG NUMBER
1	SONESSE® 30 MOTOR (RTS) #1001524, RS485 #1000658, DTC #1000668	
2	CROWN AND DRIVE FOR ROLLEASE® 1.5" TUBE	9013775
3	MOTOR ADAPTOR PLATE FOR ROLLEASE® R8 BRACKET WITH SCREWS	9014073
4	ROLLEASE® 1.5" BRACKET KIT R8 SERIES FOR SOMFY 40 MM ROUND TUBE	9012311
5	ROLLEASE® 1.5" PROJECTION BRACKET KIT R8 SERIES & ZMC® 1.5" PROJECTION XR-SERIES BRACKETS	CONTACT SOMFY/ZMC®
6	ROLLEASE® 2" BRACKET KIT R8 SERIES FOR SOMFY® 2" ROUND TUBE	9012313
7	ROLLEASE® 1.5" TUBE	9017913
8	ZMC® 1.5" Z-TUBE	CONTACT ZMC®
9	CORD CLIPES (FOR ROLLEASE® 1.5" TUBE & ZMC® 1.5" Z-TUBE)	9012200
10	TAKE-UP REEL (FOR ROLLEASE® 1.5" TUBE & ZMC® 1.5" Z-TUBE)	1780786
11	M3.5 x 9 MM SCREWS	9014066
12	MOTOR PLATE 9012258 (ROLLEASE® MOTOR BRACKET ACCES. R8 SERIES)	9012258

SONESSE® 30 HARDWARE SYSTEMS - Rollease® Skyline™ and ZMC® XL-Series

STANDARD BRACKET COMPONENTS



DIMENSIONS AND LIGHT GAP SPECIFICATIONS

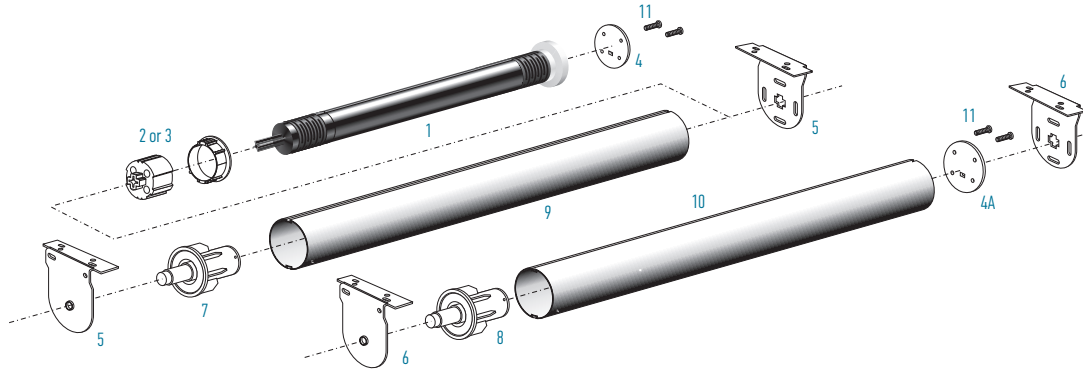


PRODUCT CHART

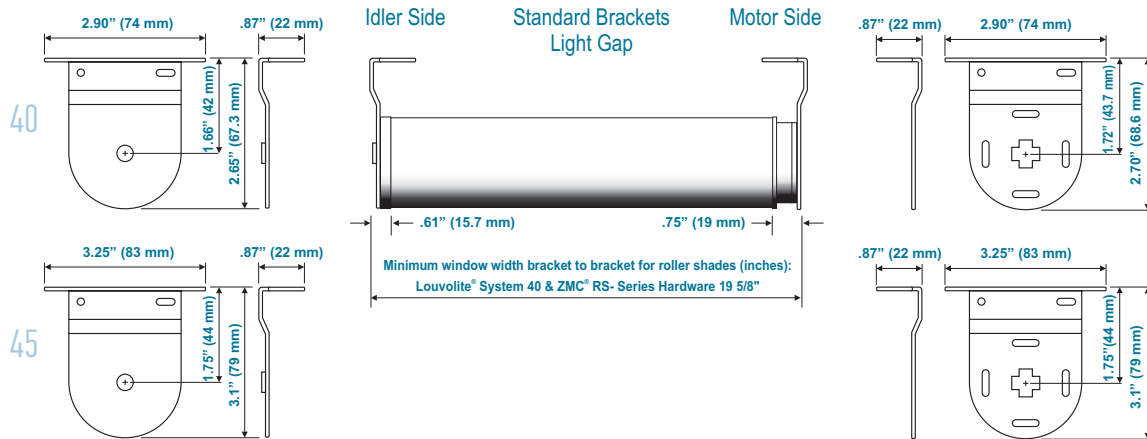
IMAGE	DESCRIPTION	CATALOG NUMBER
1	SONESSE® 30 MOTOR (RTS) #1001524, RS485 #1000658, DTC #1000668	
2	CROWN AND DRIVE (FOR ROLLEASE® 1.5" TUBE & ZMC® 1.5" Z-TUBE)	9013775
3	MOTOR ADAPTOR PLATE FOR ROLLEASE® SKYLINE™ BRACKETS W/SCREWS & ZMC® XL SERIES BRACKET	9016378
4	SKYLINE SERIES BRACKETS 1.5" PROJECTION (ROLLEASE®) (2 REQUIRED)	9017910
5	SKYLINE SERIES HEAVY DUTY IDLER END PLUG (FOR ROLLEASE® 1.5" TUBE)	9017912
6	ROLLEASE® 1.5" TUBE	9017913
7	ZMC® 1.5" Z-TUBE	CONTACT ZMC®
8	CORD CLIPS (FOR ROLLEASE® 1.5" TUBE & ZMC® 1.5" Z-TUBE)	9012200
9	TAKE-UP REEL (FOR ROLLEASE® 1.5" TUBE & ZMC® 1.5" Z-TUBE)	1780786
10	M3.5 x 9 MM SCREWS	9014066
11	ROLLEASE® SKYLINE SERIES INTERMEDIATE LINK SYSTEM	9016367

SONESSE® 30 HARDWARE SYSTEMS - Louvolite® System 40 & ZMC® RS-Series

STANDARD BRACKET COMPONENTS



DIMENSIONS AND LIGHT GAP SPECIFICATIONS



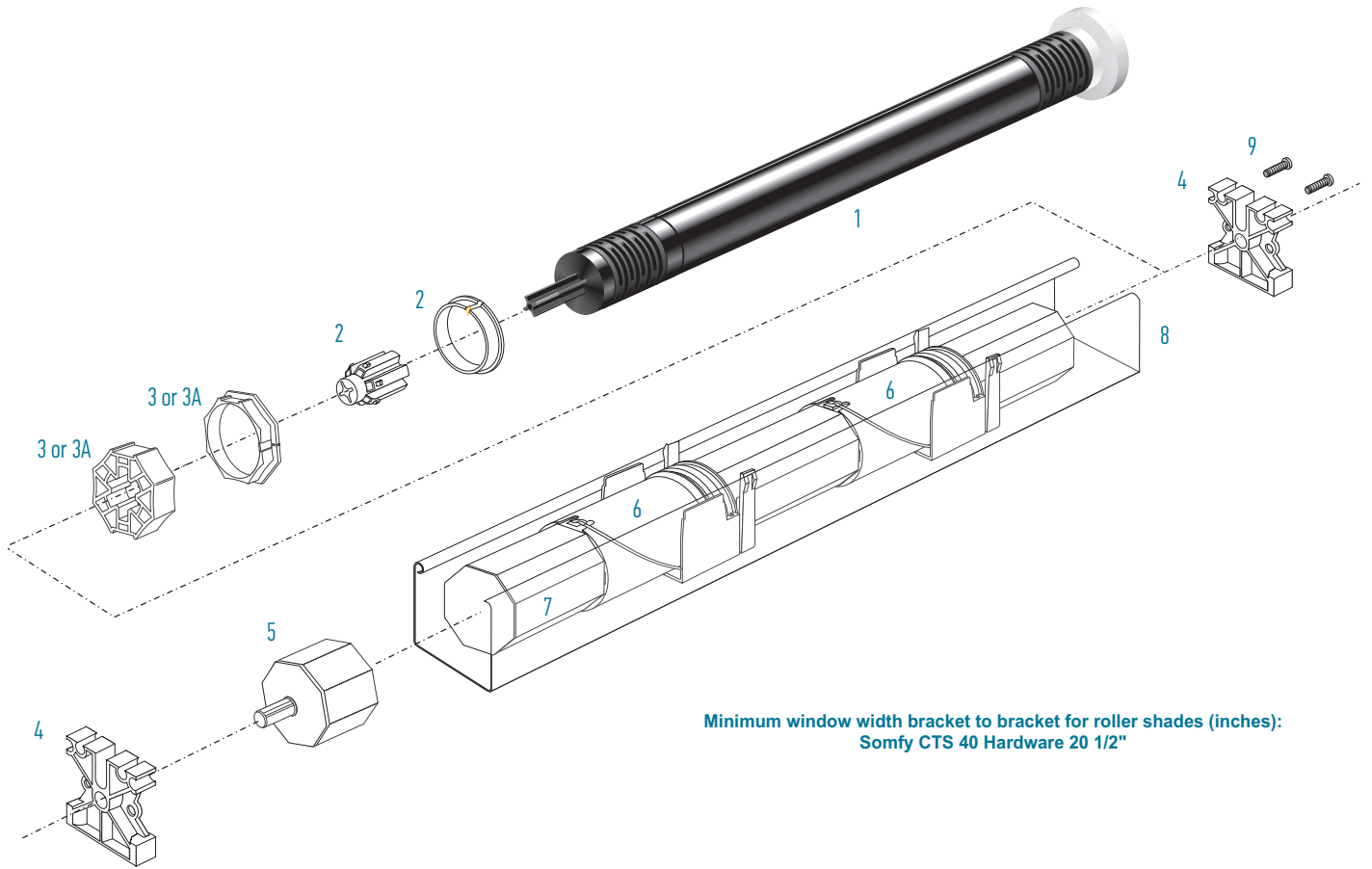
PRODUCT CHART

IMAGE	DESCRIPTION	CATALOG NUMBER
1	SONESSE® 30 MOTOR (RTS) #1001524, RS485 #1000658, DTC #1000668	
2	CROWN AND DRIVE (LOUVOLITE® 40 MM TUBE) WITH SCREWS	9013775
2, 4, 11	CROWN, DRIVE, MOTOR MOUNT PLATE AND 3.5 x 9 MM SCREWS (FOR LOUVOLITE® SYSTEM 40 AND ZMC® 1.5" RS-SERIES)	9014045
3, 4A, 11	CROWN, DRIVE, MOTOR MOUNT PLATE AND 3.5 x 9 MM SCREWS (FOR LOUVOLITE® SYSTEM 45 AND ZMC® 1.5" RS-SERIES)	9014333
4	MOTOR BRACKET ADAPTOR PLATE WITH SCREWS (LOUVOLITE® SYSTEM 40)	9014072
4A	MOTOR BRACKET ADAPTOR PLATE WITH SCREWS (LOUVOLITE® SYSTEM 45)	9016013
5	MOTOR & IDLER BRACKET KIT (FOR LOUVOLITE® STYLE SYSTEM 40 & ZMC® RS-SERIES)	9013715
6	*MOTOR & IDLER BRACKET KIT (LOUVOLITE® SYSTEM 45)	9015554
7	COLLAPSIBLE END PLUG (FOR LOUVOLITE® STYLE SYSTEM 40 & ZMC® RS-SERIES)	9013716
8	COLLAPSIBLE END PLUG (LOUVOLITE® SYSTEM 45)	9015555
9	LOUVOLITE® STYLE 40 MM TUBE & ZMC® 1.5" RS-TUBE	CONTACT SOMFY/ZMC®
10	LOUVOLITE® 45 MM TUBE	CONTACT LOUVOLITE®
11	SCREWS M3.5 x 9 MM	9014066

*KIT TO BE USED WITH MOTOR BRACKET ADAPTOR PLATE (LOUVOLITE® SYSTEM 40), CATALOG #9014072

SONESSE® 30 HARDWARE SYSTEMS - Somfy® CTS 40

CORD TAKE-UP SYSTEM (CTS)



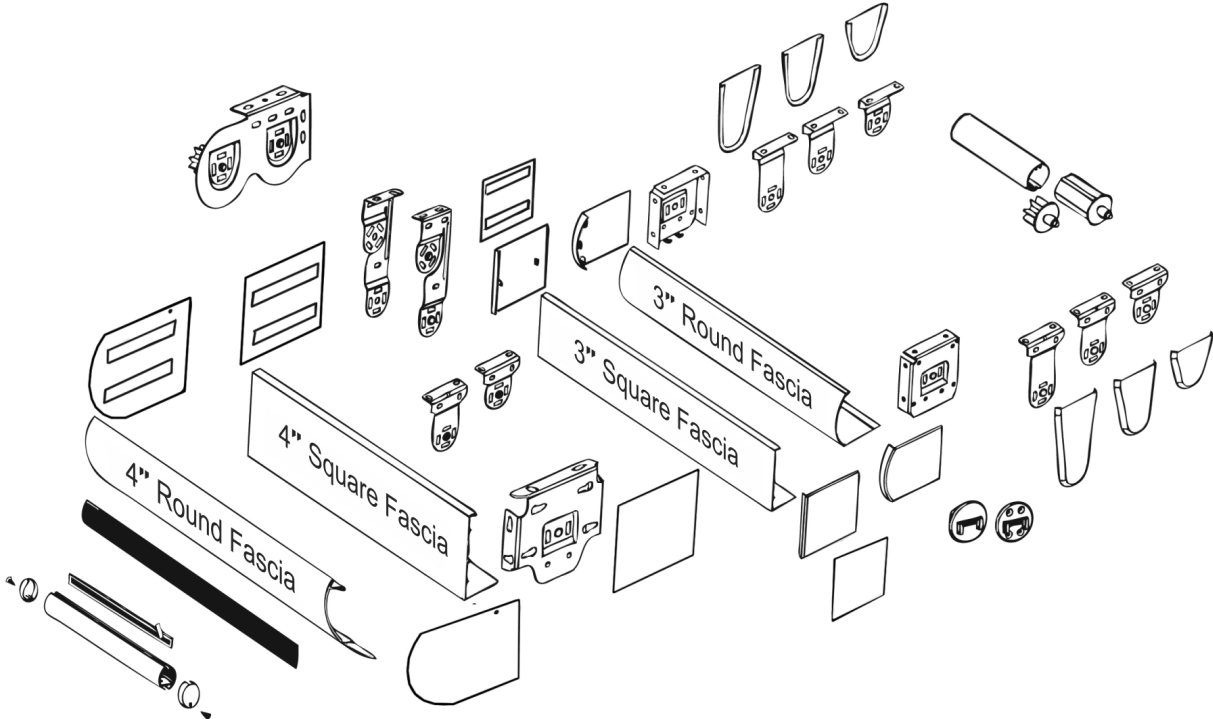
Minimum window width bracket to bracket for roller shades (inches):
Somfy CTS 40 Hardware 20 1/2"

PRODUCT CHART

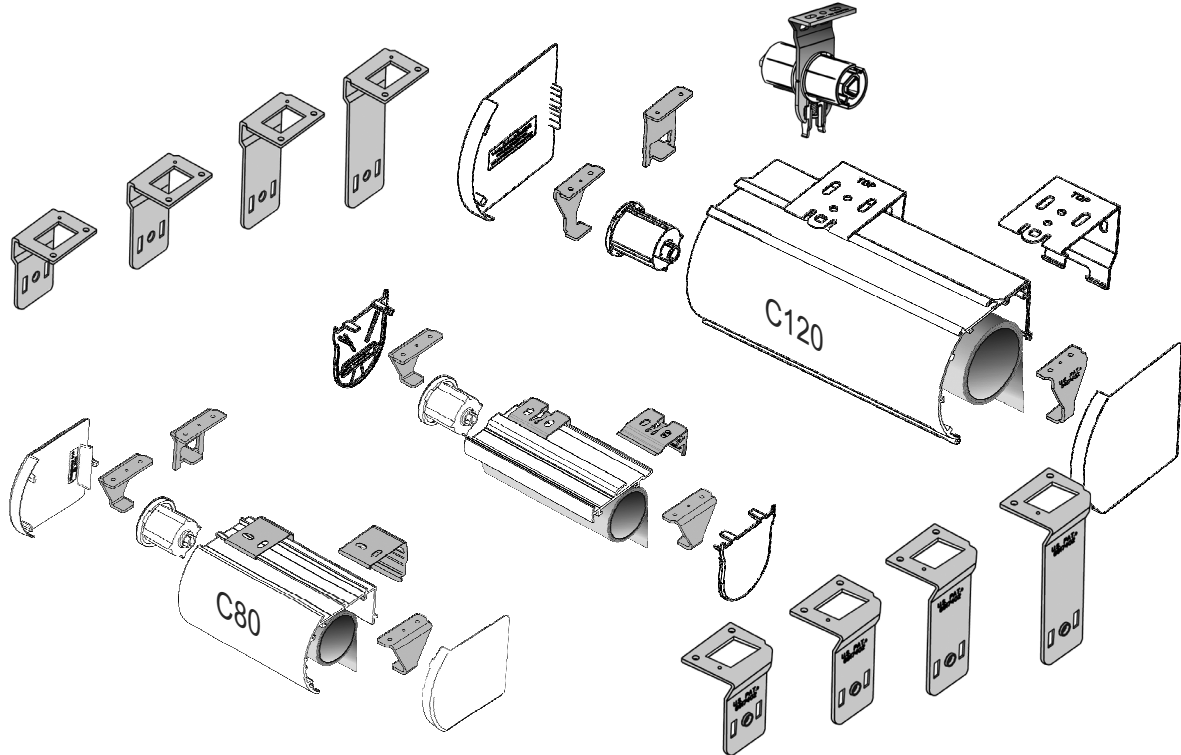
IMAGE	DESCRIPTION	CATALOG NUMBER
1	SONESSE® 30 MOTOR (RTS) #1001524, RS485 #1000658, DTC #1000668	
2	SONESSE® 30 TO LS40 ADAPTOR WITH SCREWS	9013776
3	CROWN AND DRIVE KIT 40 MM OCTAGONAL TUBE (LOUVOLITE® SYSTEM 40)	9012225
3A	RUBBERIZED CROWN AND DRIVE KIT 40 MM OCTAGONAL TUBE	9016655
4	MOTOR/IDLER BRACKET (FOR 57 MM x 51 MM HEADRAIL) (LOUVOLITE® SYSTEM 45)	9500736
5	IDLER END PLUG FOR 40 MM OCTAGONAL TUBE	9012274
6	CTS 40 (FOR 57 MM x 41 MM HEADRAIL)	1781118
7	SOMFY 40 MM OCTAGONAL TUBE (20 FT. MAX LENGTH)	1781154
8	57 MM x 51 MM (2" x 2 1/4") GUTTER RAIL OR SIMILAR	CONTACT MANUFACTURER
9	M 3.5 x 9 MM SCREWS	9014066

SONESSE® 30 HARDWARE SYSTEMS BRACKET, FASCIA AND CASSETTE SOLUTIONS - Rollease®

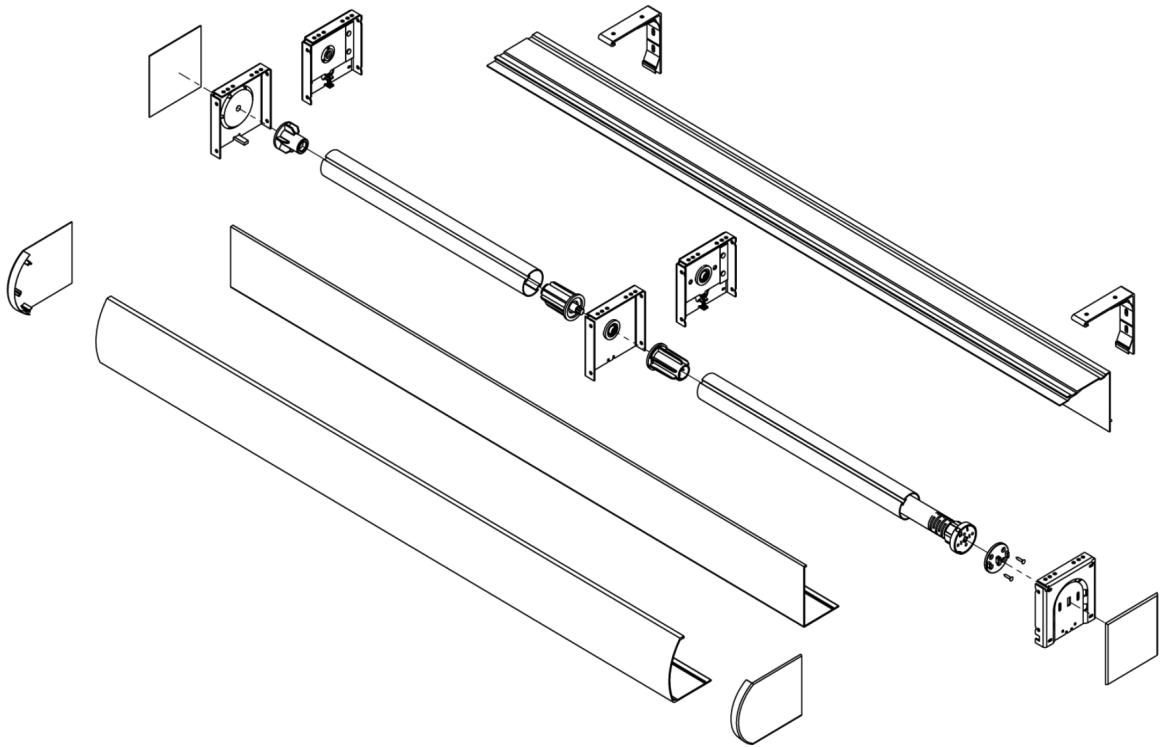
SKYLINE™ BRACKET AND FASCIA ACCESSORIES



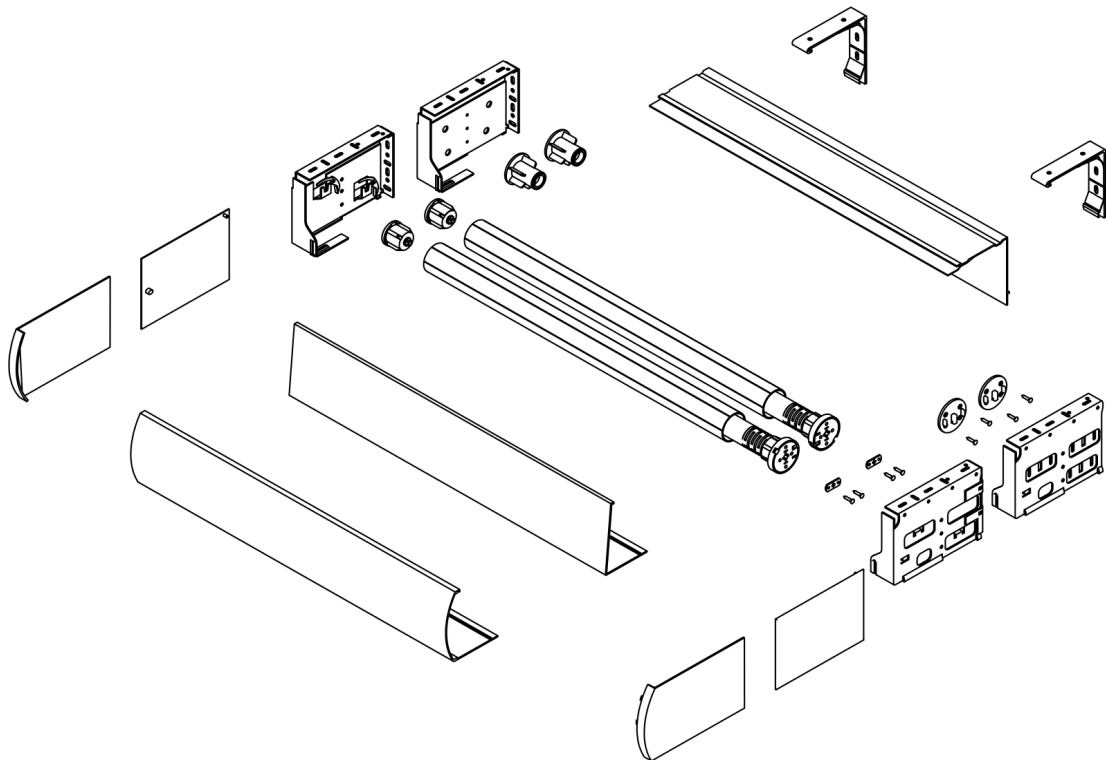
C80/C120 CASSETTE ACCESSORIES



INTERMEDIATE BRACKET SOLUTIONS



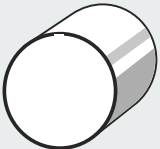

DUO SHADE FASCIA COMPONENTS



Contact ZMC® for items and part numbers: www.zmc.ca

SONESSE® ULTRA 50 DC MECHANICAL ACCESSORIES

CROWNS & DRIVES

Tube Profile (not to scale)	Set
 <p>∅ 2 in. Groove Tube ZMC®</p>	 <p>2" Groove Tube Ultra Drive *recommended with ultra-quiet Part #9020964</p>

Tube Profile (not to scale)	Set
 <p>∅ 2.5 in. Tube RollEase®</p>	 <p>Crown & Drive Adaptor for 2.5" (63 mm) Tube Part #9015234</p>

500 SERIES END CAPS

Sonesse® ULTRA 50 Universal End Cap with Collapsible Shaft



Somfy
DESIGNED FOR
SILENCE

- Universal ultra-quiet rubber over-molded end cap is adaptable to all tubes by mounting LT50/60 crown and drive sets (drive stop & screws included)
- Black nylon housing with rubber over-mold
- 2 roller bearings for smooth, quiet operation
- Maximum motor torque: 50 Nm
- Maximum system load - 88 Lbs. (40 Kg.)

Sonesse ULTRA 50 Universal Pin End Cap - 10 mm **Part #9019716**
Sonesse ULTRA 50 Universal Pin End Cap - 12 mm **Part #9019717**


ZMC® Short Idler End - 10mm



- Directly compatible with 2" tube and requires notched 2" tube and 2" drive held in place with retaining clip included
- End cap is adaptable to all tubes with LT50/60 crown and drive sets
- Black nylon
- Maximum motor torque:
 - With awning - 50 Nm
 - With FTS - 25 Nm
- Maximum system load - 88 Lbs. (40 Kg.)

Part #9020959

Sonesse® ULTRA 50 End Cap with Collapsible Shaft for 2" Tube



Somfy
DESIGNED FOR
SILENCE

- Ultra-quiet rubber over-molded end cap compatible with 2" tube (requires notched 2" tube)
- Black nylon housing with yellow rubber over-mold
- 2 roller bearings for smooth, quiet operation
- Maximum motor torque: 50 Nm
- Maximum system load - 88 Lbs. (40 Kg.)

Sonesse 50 Pin End Cap 10 mm - Quiet Accessory for 2" Tube **Part #9016628**
Sonesse 50 Pin End Cap 12 mm - Quiet Accessory for 2" Tube **Part #9018228**

Ultra Indexable Coupler with 10 mm Shaft



- Ability to couple multiple shades
- Torque transferred via the drive end which is identical to drive end of Somfy motor
- Adaptable to any tube that has Somfy motor drive wheel
- Retractable function for easy installation
- Simple and effective way of leveling the bottom bar

Part #9020962

SONESSE® ULTRA 50 DC MECHANICAL ACCESSORIES

500 SERIES MISCELLANEOUS

LT50 Motor Mounting Screws - Flat Head, Self Tapping Tri-lobe 5 mm Dia. (13 mm deep)



Part #9670013

LT50 RH Motor Mounting Screws- Flat Head, Self Tapping Tri-lobe 4 mm Dia. (9 mm Deep)

Part #100405B

LT50 Stop Wheel



- Screws into the motor output shaft to prevent drive from coming off shaft
- Black composite stop

Part #9910004

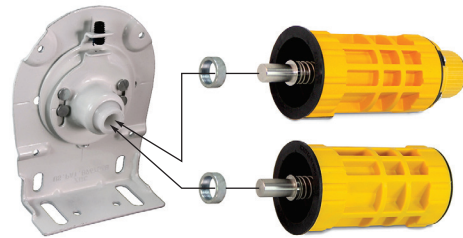
Spacer for Somfy 10 mm Ultra Universal Pin End



Part #9020960

- Somfy 10 mm Ultra Universal Pin End

Note: Spacer only used with ZMC® Idler brackets with bearings (see below)



Sonesse 50 Pin End Cap with 10 mm Collapsible Shaft

Sonesse ULTRA 50 Universal End Cap with Collapsible Shaft

500 SERIES BRACKETS

Sonesse® ULTRA 50 DC Motor Bracket with Spring Ring



Part #9020957

LT50 Universal Motor and Idler Bracket Cover



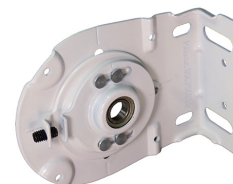
Part #9020963

Sonesse® ULTRA 50 DC Idler Bracket (10 mm ball)



Part #9020958


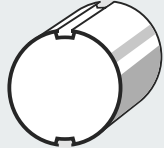
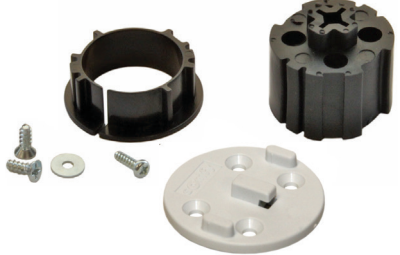
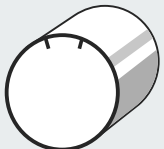

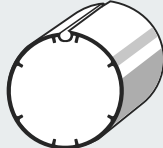
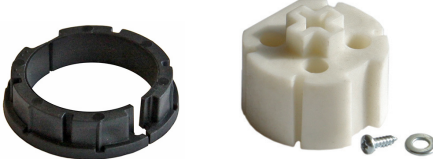
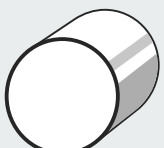


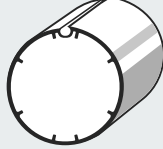

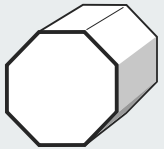

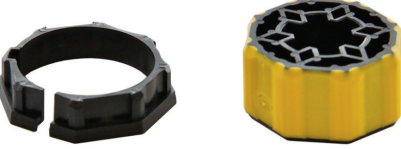
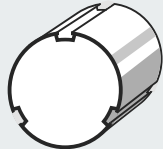
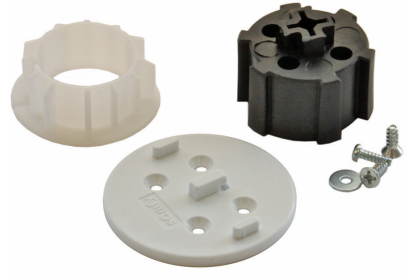
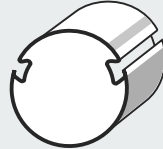
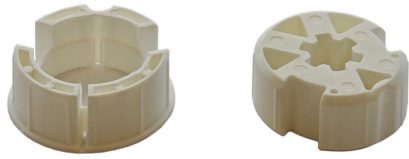
Sonesse® ULTRA 50 DC Intermediate Bracket (10 mm)



Part #9020961

SONESSE® 30 MECHANICAL ACCESSORIES

CROWNS & DRIVES







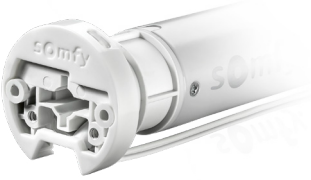
Tube Profile (not to scale)	Set	Tube Profile (not to scale)	Set
<p>Compatible with all 400 series crowns and drives</p>	 <p>Sonesse® 30 to 400 Series Adaptor Kit (adapts Sonesse® 30 to all 400 Series crowns & drives) Part #9013776</p>	 <p>ø 1.5 in. / 40 mm LouvLite®</p>	 <p>Crown, Drive, Motor Mount Plate and 3.5 x 9 mm Screws (for LouvLite® System 40) Part #9014045</p>
 <p>ø 1.5 in. / 38 mm RollEase®</p>	 <p>Crown & Drive Set for RollEase® 1.5"/38 mm Tube Part #9013775</p>	 <p>ø 1.5 in. / 38 mm RollEase®</p>	 <p>400 Series Crown Adaptor for 40 mm Tube Part #9013791 Soft Drive Wheel (ST30/LT30 type for Acmeda® 44 mm Tube) Par #9015259</p>
 <p>ø 1.5 in. / 40 mm Round</p>	 <p>400 Series Crown & Drive Set (for Somfy® 40 mm x 1.5" round tube) Part #9012224</p>  <p>400 Series Crown & Rubberized Drive Set (for Somfy® 40 mm x 1.5" round tube) Part #9016654</p>	 <p>ø 44 mm Acmeda®</p>	 <p>400 Series Crown Adaptor for Acmeda® 44 mm Tube Part #9013791 Drive Wheel (LS40 type for Acmeda® 44 mm Tube) Par #9013790</p>
 <p>ø 1.5 in. / 40 mm Octagonal</p>	 <p>400 Series Crown & Drive Set (for 40 mm octagonal tube) Part #9012225</p>  <p>400 Series Crown & Rubberized Drive Set (for 40 mm octagonal tube) Part #9016655</p>	 <p>ø 45 mm LouvLite®</p>	 <p>Crown, Drive, Motor Mount Plate and 3.5 x 9 mm Screws (for LouvLite® System 45) Part #9014333</p>
		 <p>ø 50 mm Hunter Douglas</p>	 <p>400 Series Crown & Drive for HD 4" Silhouette® (Quartette™) Part #9016953</p>

NEW **SONESSE® 30 MECHANICAL ACCESSORIES**
 Compatible with Sonesse® 30 24V RTS

CROWNS & DRIVES

Tube Profile (not to scale)	Set	Tube Profile (not to scale)	Set
Compatible with all 400 series crowns and drives	 <p>Sonesse® 30 to 400 Series Adaptor Kit (adapts Sonesse® 30 to all 400 Series crowns & drives) Part #9020676</p>	 <p>ø 1.5 in. / 40 mm Louvolite</p>	 <p>Sonesse® 30 Crown and Drive (for Louvolite 40 mm tube) Part #9020675</p>
		 <p>ø 37 mm Hunter Douglas</p>	 <p>Sonesse® 30 Crown and Drive (for HD 37 mm tube) Part #9020699</p>
 <p>ø 1.5 in. / 38 mm RollEase®</p>	 <p>Crown and Drive Set for RollEase® 1.5"/38 mm tube Part #9020674</p>	 <p>ø 2 in. / 51 mm RollEase®</p>	 <p>Sonesse® 30 Crown and Drive for RollEase®/ZMC 2"/51 mm tube Part #9021017</p>

MOTOR PLATES & HEAD COVERS

Sonesse® 30 Motor Plate RollEase® 360 R3-R8 10 x 1.8 mm and screws	Sonesse® 30 Motor Plate Acmeda 12 mm and screws	Sonesse® 30 Motor Plate RollEase® Skyline and screws	Sonesse® 30 Motor Plate M3 x 6 mm Philips flat-head plastite screw
 <p>Part #9025996</p>	 <p>Part #9025999</p>	 <p>Part #9026003</p>	 <p>Part #9026093</p>
Optional Grey	Optional Black	White (supplied with motor)	
 <p>Part #9027133</p>	 <p>Part #9027134</p>	 <p>Part #9027132</p>	