

# LT50 Altus® RTS

## Star Head and Round Head Motors

<b>506S2</b>	1033399	<b>535A2</b>	1038168
<b>510S2</b>	1038165	<b>540R2</b>	1240556
<b>525A2</b>	1043423	<b>550R2</b>	1038170
<b>530R2</b>	1038169		

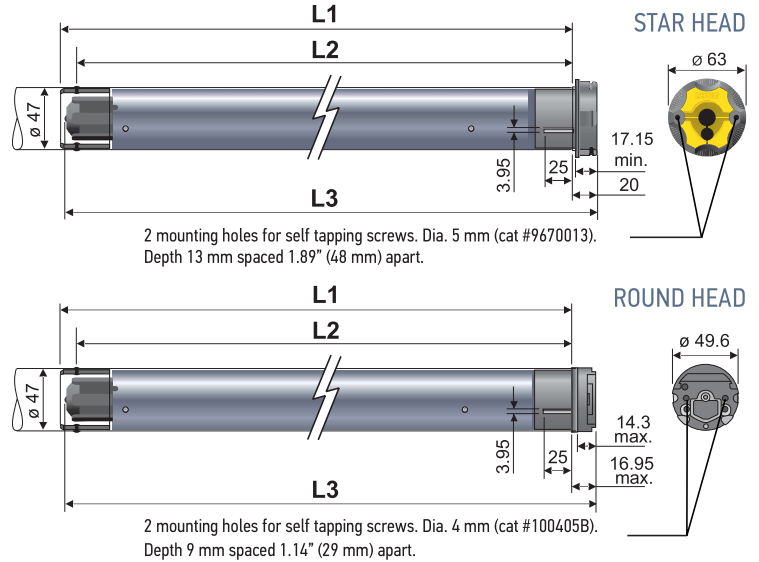


Radio Technology Somfy® (RTS) allows for wireless radio control of motorized window coverings via the RTS family of controls.

### Technical Features

<b>Voltage Supply</b>	120V AC, 60Hz
<b>Index Protection Rating</b>	IP 44
<b>Limit Switch Type</b>	Electronic RTS
<b>Limit Switch Capacity</b>	250 Turns
<b>Temperature Working Range</b>	14°F to 104°F (-10°C to 40°C)
<b>Insulation Class</b>	Class 1 for 120V AC
<b>Wiring</b>	Integrated into power cord. Must be at least 12 inches and must not come in contact with metal.

### Dimensions



Dimensions	506	510	525	530	535	540	550
<b>L1</b>	23.82 in. (605 mm)	23.82 in. (605 mm)	23.82 in. (605 mm)	23.82 in. (605 mm)	26.57 in. (675 mm)	25.79 in. (655 mm)	26.57 in. (675 mm)
<b>L2</b>	23.23 in. (590 mm)	23.23 in. (590 mm)	23.23 in. (590 mm)	23.23 in. (590 mm)	25.98 in. (660 mm)	25.20 in. (640 mm)	25.98 in. (660 mm)
<b>L3</b>	24.13 in. (613 mm)	24.13 in. (613 mm)	24.13 in. (613 mm)	24.13 in. (613 mm)	26.89 in. (683 mm)	26.10 in. (663 mm)	26.89 in. (683 mm)
<b>Cable Length</b>	9.8 ft. (3 m)	9.8 ft. (3 m)	9.8 ft. (3 m)	9.8 ft. (3 m)	9.8 ft. (3 m)	9.8 ft. (3 m)	9.8 ft. (3 m)

### Specifications

	506	510	525	530	535	540	550
<b>Torque</b>	6 Nm	10 Nm	25 Nm	30 Nm	35 Nm	40 Nm	50 Nm
<b>Nominal Voltage</b>	120V/60Hz						
<b>Rated Current</b>	1.1A	1.3A	1.6A	1.5A	2.1A	1.8A	2.1A
<b>Speed</b>	38 rpm	38 rpm	20 rpm	14 rpm	20 rpm	14 rpm	14 rpm
<b>Thermal Protection</b>	5 minutes						
<b>Radio Frequency</b>	433.42 MHz						

Optional 3C cables available in varying lengths with NEMA plug, Fast Connector and open leads.

### Type of power cable

**RTS 120V AC / 60 Hz**  
**3-conductor SJTW cable**

