

LT50 RA

Star Head and Round Head Motors (rapid limit adjustment)

506S2	1032023	525A2	1043024	506S2RH	1032016
510S2	1037036	530R2	1045026	510S2RH	1037026
515A2	1039024	535A2	1047013	515S2RH	1039019
515S2	1039027	540R2	1049042	520R2RH	1041028
520R2	1041026	550R2	1051019	525A2RH	1043025

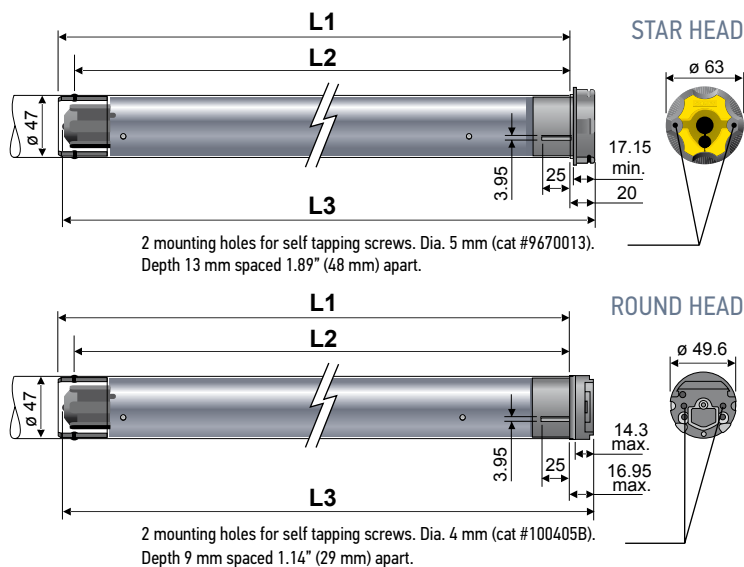


Offers control via power switching

Technical Features

Voltage Supply	120V AC, 60Hz
Index Protection Rating	IP 44
Limit Switch Type	Rapid Adjustment RA
Limit Switch Capacity	46 Turns
Temperature Working Range	14°F to 140°F (-10°C to 60°C)
Insulation Class	Class 1 for 120V AC
Wiring	Do not parallel wire.

Dimensions



Dimensions	506S2	510S2	515A2	515S2	520	525	530	535	540	550
L1	20.67 in. (525 mm)	21.85 in. (555 mm)	20.67 in. (525 mm)	23.82 in. (605 mm)	20.67 in. (525 mm)	21.85 in. (555 mm)	21.85 in. (555 mm)	23.82 in. (605 mm)	23.82 in. (605 mm)	23.82 in. (605 mm)
L2	20.10 in. (510 mm)	21.26 in. (540 mm)	20.10 in. (510 mm)	23.23 in. (590 mm)	20.10 in. (510 mm)	21.26 in. (540 mm)	21.26 in. (540 mm)	23.23 in. (590 mm)	23.23 in. (590 mm)	23.23 in. (590 mm)
L3 (Star Head only)	20.98 in. (533 mm)	22.17 in. (563 mm)	20.98 in. (533 mm)	24.13 in. (613 mm)	20.98 in. (533 mm)	22.17 in. (563 mm)	22.17 in. (563 mm)	24.13 in. (613 mm)	24.13 in. (613 mm)	24.13 in. (613 mm)
L3 (Round Head only)	20.87 in. (530 mm)	22.05 in. (560 mm)		24.02 in. (610 mm)	20.98 in. (533 mm)	22.17 in. (563 mm)				
Cable Length	6.5 ft. (2 m)									

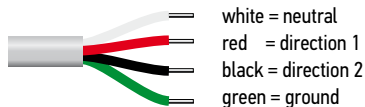
Optional cables available in 6 ft, 10 ft, 12 ft, 24 ft.

Specifications

	506S2	510S2	515A2	515S2	520	525	530	535	540	550
Torque	6 Nm	10 Nm	15 Nm	15 Nm	20 Nm	25 Nm	30 Nm	35 Nm	40 Nm	50 Nm
Nominal Voltage	120V / 60Hz									
Rated Current	.95A	1.3A	1.1A	1.8A	1.1A	1.6A	1.5A	2.1A	1.8A	2.1A
Speed	38 rpm	38 rpm	20 rpm	38 rpm	14 rpm	20 rpm	14 rpm	20 rpm	14 rpm	14 rpm
Thermal Protection	5 minutes									
Sound Level (RH only)	55 dBA	56 dBA	NA	56 dBA	NA	NA	NA	NA	NA	NA

Type of power cable

Wired 120V AC / 60 Hz 4 conductor cable



white = neutral
red = direction 1
black = direction 2
green = ground

