



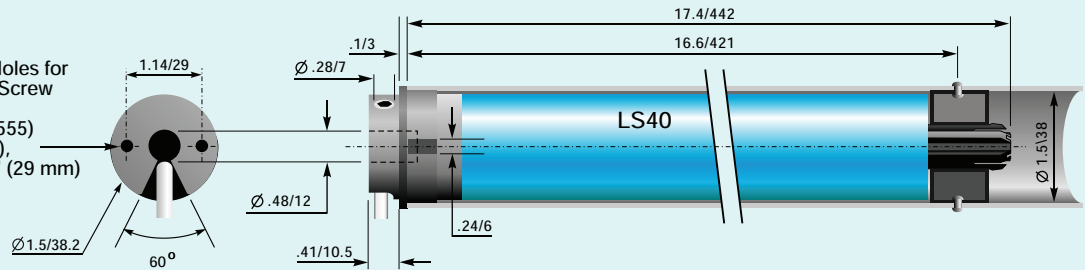
Dimensions

SOMFY LS40/LT50/LT60 /FTS/SLT

LS40

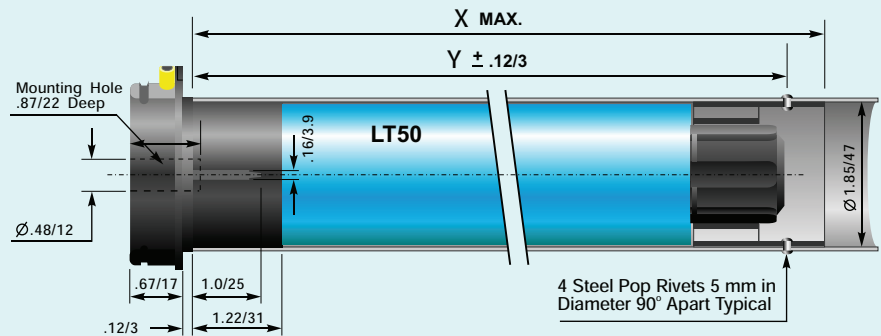
MOTOR TYPE
401F2
404R2
404S2
409R2
412R2

2 Mounting Holes for Self-Tapping Screw Dia. 4 mm (Cat. # 4000555) (Depth 9 mm), Spaced 1.14" (29 mm) Apart



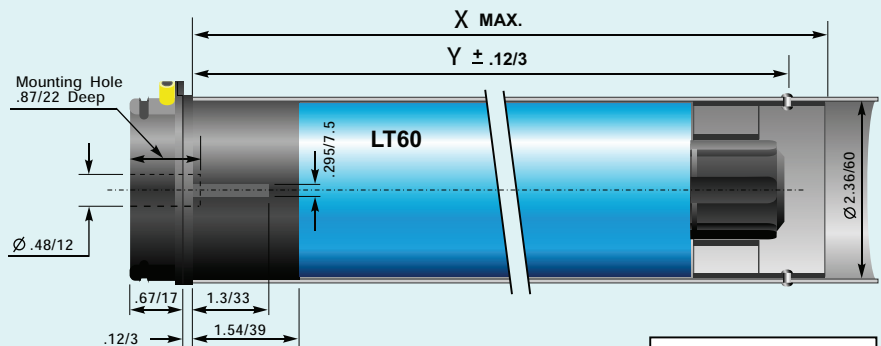
LT50

MOTOR TYPE	X in. / mm	Y in. / mm
504S2	19.88/505	19.29/490
506S2	20.67/525	20.08/510
510S2	21.85/555	21.26/540
510R2	19.88/505	19.29/490
515S2	23.82/605	23.23/590
515A2	20.67/525	20.08/510
520R2	20.67/525	20.08/510
525A2	21.85/555	21.26/540
530R2	21.85/555	21.26/540
535A2	23.82/605	23.23/590
540R2	23.82/605	23.23/590
550R2	23.82/605	23.23/590
LT50 FTS		
525A2 FTS	26.2/655	25.6/640



SLT50*

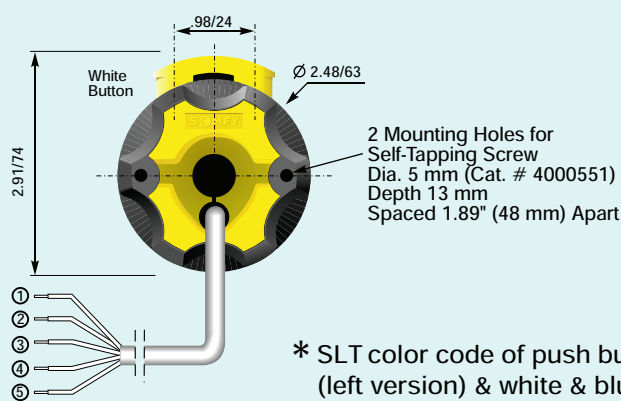
MOTOR TYPE	X in. / mm	Y in. / mm
525A2 SLTL	26.6/675	26.0/660
525A2 SLTR	26.6/675	26.0/660
535A2 SLTL	28.2/715	27.6/700
535A2 SLTR	28.2/715	27.6/700



LT60

MOTOR TYPE	X in. / mm	Y in. / mm
660R2	25.9/659	25.3/642
680R2	25.9/659	25.3/642
6100R2	25.9/659	25.3/642
LT60 FTS		
655A2 FTS	27.3/684	26.7/677

LT50/60/FTS



WIRING COLOR CODE FOR LT50/60		
①	White	Neutral
②	Black	White Button
③	Red	Yellow Button
④	Green	Ground
Do Not Wire in Parallel		

WIRING COLOR CODE FOR FTS 50/60		
①	White	Neutral
②	Black	White Button
③	Red	Yellow Button
④	Green	Ground
⑤	Grey	Brake
Do Not Wire in Parallel		

SLT60*

MOTOR TYPE	X in. / mm	Y in. / mm
660R2 SLTL	28.9/734	28.2/717
660R2 SLTR	28.9/734	28.2/717

* SLT color code of push buttons is: blue & yellow (left version) & white & blue (right version).

NOTE: Dimensions in millimeters are more accurate. **X** dimension refers to the length of the motor tube and drive assembly. **Y** dimension refers to the distance for mounting the pop rivets.